

MAKE THE RIGHT CONNECTION!



Harrington, Inc.

LDH System Specialists



2630 West 21st Street • Erie, PA 16506
814.838.3957 • 800.553.0078 • Fax: 814.838.7339
harrinc.com • info@harrinc.com • hydrantstorz.com



- Hydrant Storz
- Intake Valves
- Storz Couplings
- Gate Valves
- Ball Valves
- Siamese Valves
- 'V-Groove' Couplings
- Hose Rollers
- Hose Washers
- Storz Caps
- Storz Elbows
- Storz Adapters
- Threaded Adapters
- Flex-Lite Suction Hose
- Flange Adapters



2016
Retail Catalog

Harrington Inc.
The oldest and most reliable AWG
distributor in North America!

AWG

The Original Hardware for Large Diameter Hose Systems

AWG

Safety First in LDH Systems

We cannot state too emphatically the need to follow certain guidelines in using large diameter hose and appliances. You should always consider the following points when using and training with large diameter hose.

1. All Harrington Storz “heads” are forged then hard coated to military specification: Type 3. This provides maximum strength and best corrosion resistance. We do not supply cast Storz heads which can easily fracture and cause catastrophic failure.
2. Do not allow untrained personnel to operate or use large diameter hose or appliances.
3. Always inspect all connections to insure tightness, thus reducing the possibility of accidental disconnection.
4. Always open and close valves slowly, to reduce the possibility of damage or injury due to water hammer.
5. Always secure adapters, valves and other appliances with proper vehicle mounting brackets to prevent them from falling off the vehicle.
6. Clean, lubricate and perform necessary maintenance on all moving parts periodically. This is especially important for intake valves left attached to the vehicle.
7. Always store valves in the closed position when not in use.
8. Test relief valves periodically, to be sure they are relieving properly.
9. Set relief valves at a pressure 10 psi higher than your normal working pressure.
10. When performing annual hose testing, be sure to use Storz test caps and adapters which are found on page 31 of this price sheet, to prevent gasket failure.
11. These guidelines/instructions may not answer or address all questions. If you have any questions or need additional information, call us at 1-800-553-0078.

MAKE THE RIGHT CONNECTION!



Harrington, Inc.
LDH System Specialists

2630 West 21st Street • Erie, PA 16506
814.838.3957 • 800.553.0078 • Fax: 814.838.7339
harrinc.com • info@harrinc.com • hydrantstorz.com



Table of Contents

Intake Valves

Standard Piston Intake w/ Relief Valve	4
Mega Flow Piston Intake w/ Relief Valve	5
H550 - 5" Mega Flow XL Piston Intake Valve	5
New 5 Year Corrosion Warranty *	6
H1000 - Ball Intake Valves	6

Miscellaneous Parts

Distributor Ball Valves

H200 - Standard 2-Way Ball Valves	7
H201 - Small 2-Way Ball Valves (Leader Line Wye)	8
H202 - Mid Size 2-Way Ball Valves (Leader Line Wye)	8
H300 - 3-Way Ball Valves	9
H301 - Small 3-Way Ball Valves (Water Thief)	9
H301 - 3-Way Manifolds	9
H400 - 5-Way Manifolds	10
H600 - Super Flow 2-Way Ball Valves	10

Hydrant Valves

H700 - LDH Hydrant Valves (Hydrassist)	11
HHBV - Hydrant Ball Valves	11
HHGV - Hydrant Gate Valves	12

Standard Gate Valves

H800 - 4" Straight Gate Valves	12
H810 - 25° Elbow 4" Gate Valves with PRV	13
H811 - 25° Elbow 4" Gate Valves	13
H814 - Straight 4" Gate Valves with Relief	14
Super Flow 6" Gate Valves	15
H860 - Super Flow Straight 6" Gate Valves	15
H861 - 25° Elbow 6" Gate Valves	15

Siamese Valves

HJ20 - Jumbo Siamese - Double Clappered	15
H220 - 2-Way Siamese	16
H330 - 3-Way Siamese	16
H440 - 4-Way Siamese	17

Storz Elbow Adapters - With Relief Valve

H30ERV - Storz x Female Swivel Rocker Lug	17
H30E - Storz x Female Swivel Rocker Lug	18
H30E - Storz x Female Swivel Long Handle	20
H30E - Storz x Storz Swivel	20

Storz Hydrant Adapters

HPHA - Storz Permanent Hydrant Adapters with Cap	21
--	----

Storz Straight Adapters

HSFS - Storz x Female Swivel Rocker Lug	22
HSFS - Storz x Female Swivel Long Handle	22
HSFR - Storz x Female Rigid	23
HSMR - Storz x Male Rigid	25
HFL-Flange x Storz Adapters	26
HSTS - Storz x Storz	27
HFTS - Storz Full-Time Swivel	28
HSFR - Storz x Female BSP with Lock	28

Storz Accessories

HSAS - Storz Adapter Screens	29
HBC - Storz Blind Caps	29

HSTC - Storz Test Caps and Adapters	30
HTPB - Storz Couplings with Three-Part Binding	30
HTPB-US - 3 Lug Storz Couplings.	30
HSSW-15-25	30
HVC - Harrington "V-Groove" Shank Couplings	31
British Instantaneous Fittings	31
HMLC - MultiLug Coupling with three part binding.	31
HMLA - MultiLug Adapters and Caps	32
Adapters: MultiLug x BSP Female	32

Mounting Brackets

HSMB - Storz Mounting Brackets	32
HMB - Valve Mounting Brackets	32
HTMP - Threaded Mounting Brackets	33
HSSW - Spanner Wrenches	33
HSSW-501-HW	33
HHR - Hose Rollers	34
HHW - Hose Washers	34
HWS - Water Shields	34
Storz Seals and Thread Gaskets	35

Threaded Adapters

H35 - Female Swivel RL x Female Swivel RL	36
H36 - Double Male Rocker Lug Adapters	37
H37 - Male x Female Rigid Rocker Lug Adapters	38
H53 - Female Swivel RL x Female Rigid	39
H53L - Female Swivel LH x Female Rigid	40
H54 - Male x Female Swivel Rocker Lug	41
H54L - Male x Female Swivel Long Handle	42
H56 - NH Male x Female Rigid Long Handle	43
H57L - Female Swivel LH x Female Swivel LH	44
HTBC - Threaded Blind Caps	45
HTP - Harrington Threaded Plugs	45

Butterfly Valves

Drafting Equipment

PVC Suction Hose	47
HTBS - Barrel Strainers - Female Rigid	48
HTLLS - Low Level Strainers w/ Jet Siphon	48
HTFBS - Floating Barrel Strainers	49

Foam Equipment

HFI - Foam Eductors	49
HTN - Turbo Nozzles 60 Series	50
HHSN - Wildland Nozzles	50
HHFN - Heavy (low expansion)Foam Nozzles	50
HMFN - Medium Expansion Foam Nozzle	51
HCFN - Combination Medium/Heavy Foam Nozzle	51
HSJB-Branchpipe Nozzle	51
HCN - Cellar Nozzle	51

Intake Valves

Standard Piston Intake w/ Relief Valve

Traditional piston intake valve design used for pumper intake control. Provides the following features: a 45 degree integrated elbow, a field adjustable pressure relief valve (adjustable from 75- 250 PSI) and an air bleeder valve. There is a stainless steel piston, sleeve and spindle for added corrosion protection. Choose from a variety of sizes of Storz or NH connections. 5 year warranty against failure due to corrosion.

Dimensions: Extension: 10.5" Width: 8" Height: 17" Weight: 27 lbs



**New 5 Year
Corrosion
Warranty ***

5" Stainless Steel PIRV	Stainless Steel H500	List
H500S-40-45NH	Piston intake valve 5" stainless steel 4" Storz lock inlet x 4.5" NH female swivel rocker lug outlet w/ 250-S RV	\$1,820.00
H500S-40-50NH	Piston intake valve 5" stainless steel 4" Storz lock inlet x 5" NH female swivel rocker lug outlet w/ 250-S RV	\$1,758.00
H500S-40-60NH	Piston intake valve 5" stainless steel 4" Storz lock inlet x 6" NH female swivel short handle outlet w/ 250-S RV	\$1,769.00
H500S-50-45NH	Piston intake valve 5" stainless steel 5" Storz lock inlet x 4.5" NH female swivel rocker lug outlet w/ 250-S RV	\$1,771.00
H500S-50-50NH	Piston intake valve 5" stainless steel 5" Storz lock inlet x 5" NH female swivel rocker lug outlet w/ 250-S RV	\$1,707.00
H500S-50-60NH	Piston intake valve 5" stainless steel 5" Storz lock inlet x 6" NH female swivel short handle outlet w/ 250-S RV	\$1,717.00
H500S-50-45NH/FTS	Piston intake valve 5" stainless steel 5" Storz lock full time swivel inlet x 4.5" NH female swivel rocker lug outlet w/ 250-S RV	\$2,253.00
H500S-50-50NH/FTS	Piston intake valve 5" stainless steel 5" Storz lock full time swivel inlet x 5" NH female swivel rocker lug outlet w/ 250-S RV	\$2,199.00
H500S-50-60NH/FTS	Piston intake valve 5" stainless steel 5" Storz lock full time swivel inlet x 6" NH female swivel short handle outlet w/ 250-S RV	\$2,201.00
H500S-60-45NH	Piston intake valve 5" stainless steel 6" Storz lock inlet x 4.5" NH female swivel rocker lug outlet w/ 250-S RV	\$1,967.00
H500S-60-50NH	Piston intake valve 5" stainless steel 6" Storz lock inlet x 5" NH female swivel rocker lug outlet w/ 250-S RV	\$1,894.00
H500S-60-60NH	Piston intake valve 5" stainless steel 6" Storz lock inlet x 6" NH female swivel short handle outlet w/ 250-S RV	\$1,905.00
H500S-60NHM-60NH	Piston intake valve 5" stainless steel 6" NH male inlet x 6" NH female swivel short handle outlet w/ 250-S RV	\$1,732.00

Brass H500B Dimensions: Extension: 10.5" Width: 8" Height: 17" Weight: 48 lbs

5" Brass PIRV	Brass H500	List
H500B-40-45NH	Piston intake valve 5" brass body 4" Storz lock inlet x 4.5" NH female swivel rocker lug outlet w/ 250-S RV	\$2,868.00
H500B-40-50NH	Piston intake valve 5" brass body 4" Storz lock inlet x 5" NH female swivel rocker lug outlet w/ 250-S RV	\$2,804.00
H500B-40-60NH	Piston intake valve 5" brass body 4" Storz lock inlet x 6" NH female swivel short handle outlet w/ 250-S RV	\$2,817.00
H500B-50-45NH	Piston intake valve 5" brass body 5" Storz lock inlet x 4.5" NH female swivel rocker lug outlet w/ 250-S RV	\$2,818.00
H500B-50-50NH	Piston intake valve 5" brass body 5" Storz lock inlet x 5" NH female swivel rocker lug outlet w/ 250-S RV	\$2,755.00
H500B-50-60NH	Piston intake valve 5" brass body 5" Storz lock inlet x 6" NH female swivel short handle outlet w/ 250-S RV	\$2,766.00
H500B-50-45NH/FTS	Piston intake valve 5" brass body 5" Storz lock full time swivel inlet x 4.5" NH female swivel rocker lug outlet w/ 250-S RV	\$3,300.00

*** 5 year warranty against failure due to corrosion.**

Note: Appliances are available with Storz, NH, NPT, or flange connections. Call for pricing if your configuration is not listed

Harrington Inc. 2630 West 21st Street, Erie, PA USA 16506-2908 phone 800.553.0078 fax 814.838.7339

Info@harrinc.com

H500B-50-50NH/FTS	Piston intake valve 5" brass body 5" Storz lock full time swivel inlet x 5" NH female swivel rocker lug outlet w/ 250-S RV	\$3,239.00
H500B-50-60NH/FTS	Piston intake valve 5" brass body 5" Storz lock full time swivel inlet x 6" NH female swivel short handle outlet w/ 250-S RV	\$3,251.00
H500B-60-45NH	Piston intake valve 5" brass body 6" Storz lock inlet x 4.5" NH female swivel rocker lug outlet w/ 250-S RV	\$3,005.00
H500B-60-50NH	Piston intake valve 5" brass body 6" Storz lock inlet x 5" NH female swivel rocker lug outlet w/ 250-S RV	\$2,943.00
H500B-60-60NH	Piston intake valve 5" brass body 6" Storz lock inlet x 6" NH female swivel short handle outlet w/ 250-S RV	\$2,949.00
H500B-60NHM-60NH	Piston intake valve 5" brass body 6" NH male inlet x 6" NH female swivel short handle outlet w/ 250-S RV	\$2,777.00

Mega Flow Piston Intake w/ Relief Valve

Our newest compact design for pumper intake control allows easy maintenance. By removing only 5 bolts all moving parts can be removed in one assembly. The valve provides the following features: a low profile 45 degree integrated elbow, a field adjustable pressure relief valve and a full 3/4" air bleeder. The new design offers the lowest friction loss and largest waterway available. Choose from a variety of sizes of Storz or NST connections.

Dimensions: Extension: 10.5" Width: 8" Height: 17" Weight: 34 lbs

Friction loss at 1000 GPM: 2.3 PSI

H550 - 5" Mega Flow XL Piston Intake Valve

5" Mega Flow XL (PIRV)	Aluminum H550	List
H550A-40-45NH	Piston intake valve 5" Mega Flow XL aluminum 4" Storz lock inlet x 4.5" NH female swivel rocker lug outlet w/ 250-S RV	\$1,716.00
H550A-40-50NH	Piston intake valve 5" Mega Flow XL aluminum 4" Storz lock inlet x 5" NH female swivel rocker lug outlet w/ 250-S RV	\$1,651.00
H550A-40-60NH	Piston intake valve 5" Mega Flow XL aluminum 4" Storz lock inlet x 6" NH female swivel short handle outlet w/ 250-S RV	\$1,663.00
H550A-50-45NH	Piston intake valve 5" Mega Flow XL aluminum 5" Storz lock inlet x 4.5" NH female swivel rocker lug outlet w/ 250-S RV	\$1,668.00
H550A-50-50NH	Piston intake valve 5" Mega Flow XL aluminum 5" Storz lock inlet x 5" NH female swivel rocker lug outlet w/ 250-S RV	\$1,604.00
H550A-50-60NH	Piston intake valve 5" Mega Flow XL aluminum 5" Storz lock inlet x 6" NH female swivel short handle outlet w/ 250-S RV	\$1,611.00
H550A-50-45NH/FTS	Piston intake valve 5" Mega Flow XL aluminum 5" Storz lock full time swivel inlet x 4.5" NH female swivel rocker lug outlet w/ PRV	\$2,153.00
H550A-50-50NH/FTS	Piston intake valve 5" Mega Flow XL aluminum 5" Storz lock full time swivel inlet x 5" NH female swivel rocker lug outlet w/ 250-S RV	\$2,088.00
H550A-50-60NH/FTS	Piston intake valve 5" Mega Flow XL aluminum 5" Storz lock full time swivel inlet x 6" NH female swivel short handle outlet w/ 250-S RV	\$2,095.00
H550A-60-45NH	Piston intake valve 5" Mega Flow XL aluminum 6" Storz lock inlet x 4.5" NH female swivel rocker lug outlet w/ 250-S RV	\$1,855.00
H550A-60-50NH	Piston intake valve 5" Mega Flow XL aluminum 6" Storz lock inlet x 5" NH female swivel rocker lug outlet w/ 250-S RV	\$1,791.00
H550A-60-60NH	Piston intake valve 5" Mega Flow XL aluminum 6" Storz lock inlet x 6" NH female swivel short handle outlet w/ 250-S RV	\$1,798.00
H550A-60NHM-60NH	Piston intake valve 5" Mega Flow XL aluminum 6" NH male inlet x 6" NH female swivel short handle outlet w/ 250-S RV	\$1,624.00





5" Mega Flow XL (PIRV)	Stainless Steel H550	List
H550S-40-45NH	Piston intake valve 5" Mega Flow XL stainless 4" Storz lock inlet x 4.5" NH female swivel rocker lug outlet w/ 250-S RV	\$1,969.00
H550S-40-50NH	Piston intake valve 5" Mega Flow XL stainless 4" Storz lock inlet x 5" NH female swivel rocker lug outlet w/ 250-S RV	\$1,905.00
H550S-40-60NH	Piston intake valve 5" Mega Flow XL stainless 4" Storz lock inlet x 6" NH female swivel short handle outlet w/ 250-S RV	\$1,915.00
H550S-50-45NH	Piston intake valve 5" Mega Flow XL stainless 5" Storz lock inlet x 4.5" NH female swivel rocker lug outlet w/ 250-S RV	\$1,951.00
H550S-50-50NH	Piston intake valve 5" Mega Flow XL stainless 5" Storz lock inlet x 5" NH female swivel rocker lug outlet w/ 250-S RV	\$1,852.00
H550S-50-60NH	Piston intake valve 5" Mega Flow XL stainless 5" Storz lock inlet x 6" NH female swivel short handle outlet w/ 250-S RV	\$1,863.00
H550S-50-45NH/FTS	Piston intake valve 5" Mega Flow XL stainless 5" Storz lock full time swivel inlet x 4.5" NH female swivel rocker lug outlet w/ 250-S RV	\$2,401.00
H550S-50-50NH/FTS	Piston intake valve 5" Mega Flow XL stainless 5" Storz lock full time swivel inlet x 5" NH female swivel rocker lug outlet w/ 250-S RV	\$2,336.00
H550S-50-60NH/FTS	Piston intake valve 5" Mega Flow XL stainless 5" Storz lock full time swivel inlet x 6" NH female swivel short handle outlet w/ 250-S RV	\$2,347.00
H550S-60-45NH	Piston intake valve 5" Mega Flow XL stainless 6" Storz lock inlet x 4.5" NH female swivel rocker lug outlet w/ 250-S RV	\$2,104.00
H550S-60-50NH	Piston intake valve 5" Mega Flow XL stainless 6" Storz lock inlet x 5" NH female swivel rocker lug outlet w/ 250-S RV	\$2,039.00
H550S-60-60NH	Piston intake valve 5" Mega Flow XL stainless 6" Storz lock inlet x 6" NH female swivel short handle outlet w/ 250-S RV	\$2,050.00
H550S-60NHM-60NH	Piston intake valve 5" Mega Flow XL stainless 6" NH male inlet x 6" NH female swivel short handle outlet w/ 250-S RV	\$1,874.00

Ball Intake Valve

A low profile, 12" depth ball intake valve designed for pumper intake control. Valve meets 900 PSI hydrostatic strength test. Utilizes full flow ball valve design, and has an easy to see visual indicator of ball position. Includes a 3/4" air bleeder valve, an integrated 25 degree elbow, and a 250 PSI field adjustable pressure relief valve (adjustable from 75- 250 PSI). Handle can be mounted on right or left side of valve. Choose from a variety of sizes of Storz or NH connections. 5 year warranty against failure due to corrosion.

Dimensions: Extension: 12" Width: 8" Height: 16" Weight: 34 lbs
Friction loss at 1000 GPM: 0.1 PSI.



**New 5 Year
Corrosion
Warranty ***

H1000 - Ball Intake Valves

Ball Intake Valve	H1000	List
H1000-40-45NH	Ball intake valve 5" w/ 4" Storz lock inlet x 4.5" NH female swivel rocker lug outlet w/ 250-S RV	\$2,095.00
H1000-40-50NH	Ball intake valve 5" w/ 4" Storz lock inlet x 5" NH female swivel rocker lug outlet w/ 250-S RV	\$2,032.00
H1000-40-60NH	Ball intake valve 5" w/ 4" Storz lock inlet x 6" NH female swivel short handle outlet w/ 250-S RV	\$2,042.00
H1000-50-45NH	Ball intake valve 5" w/ 5" Storz lock inlet x 4.5" NH female swivel rocker lug outlet w/ 250-S RV	\$2,043.00
H1000-50-50NH	Ball intake valve 5" w/ 5" Storz lock inlet x 5" NH female swivel rocker lug outlet w/ 250-S RV	\$1,980.00
H1000-50-60NH	Ball intake valve 5" w/ 5" Storz lock inlet x 6" NH female swivel short handle outlet w/ 250-S RV	\$1,990.00
H1000-50-45NH/FTS	Ball intake valve 5" w/ 5" Storz lock FTS inlet x 4.5" NH female swivel rocker lug outlet w/ 250-S RV	\$2,527.00

*** 5 year warranty against failure due to corrosion.**

Note: Appliances are available with Storz, NH, NPT, or flange connections. Call for pricing if your configuration is not listed



H1000-50-50NH/FTS	Ball intake valve 5" w/ 5" Storz lock FTS inlet x 5" NH female swivel rocker lug outlet w/ 250-S RV	\$2,465.00
H1000-50-60NH/FTS	Ball intake valve 5" w/ 5" Storz lock FTS inlet x 6" NH female swivel short handle outlet w/ 250-S RV	\$2,475.00
H1000-60-45NH	Ball intake valve 5" w/ 6" Storz lock inlet x 4.5" NH female swivel rocker lug outlet w/ 250-S RV	\$2,230.00
H1000-60-50NH	Ball intake valve 5" w/ 6" Storz lock inlet x 5" NH female swivel rocker lug outlet w/ 250-S RV	\$2,168.00
H1000-60-60NH	Ball intake valve 5" w/ 6" Storz lock inlet x 6" NH female swivel short handle outlet w/ 250-S RV	\$2,178.00
H1000-60NHM-60NH	Ball intake valve 5" w/ 6" NH male inlet x 6" NH female swivel short handle outlet w/ 250-S RV	\$2,003.00

Miscellaneous Parts

Miscellaneous		List
AWG30291233	Handwheel with fold-down knob	\$160.00
HRV-250-S	Pressure relief valve 75-250 PSI charcoal gray	\$430.00
HABV	Ball valve 0.75" BSP male x 0.75" BSP female (bleeder valve) [3/4"]	\$43.00
HABS	0.75" screw down bleeder valve NPT	\$51.00
HILBV-40-40-ST	4" Storz x 4" Storz in-line bleeder valve 3/4"	\$554.00
HILBV-50-50-ST	5" Storz x 5" Storz in-line bleeder valve 3/4"	\$554.00
HPG-100	0-300 psi Glycerine filled Pressure Gauge (AWG)	\$25.00
HLG-25NH	2.5" NH male x 2.5" NH female swivel rocker lug Luminescent Line Gauge w/ 0-300 psi gauge	\$235.00



Distributor Ball Valves

Mid-Size 2 way LDH ball valve for feeding two lines with one large line. A light weight valve with powder coating for lasting finish. Hard anodized balls with stainless steel tappets for corrosion resistance. The design permits feed from either direction. Choose from a variety of sizes of Storz or NST connections.

Dimensions: Length: 10.5" Width: 9" Height: 10" Weight: 14 lbs

H200 - Standard 2-Way Ball Valves

2-Way Ball Valve	H200	List
H200-25NHFS-25NH	2-way ball valve 2.5" NH female swivel inlet x (2) 2.5" NH male outlets (LDH Wye)	\$690.00
H200-40-25NH	2-way ball valve 4" Storz lock inlet x (2) 2.5" NH male outlets (LDH Wye)	\$670.00
H200-40NHFS-25NH	2-way ball valve 4" NH female swivel rocker lug inlet x (2) 2.5" NH male outlets (LDH Wye)	\$757.00
H200-50-25NH	2-way ball valve 5" Storz lock inlet x (2) 2.5" NH male outlets (LDH Wye)	\$755.00
H200-50FTS-25NH	2-way ball valve 5" Storz lock FTS inlet x (2) 2.5" NH male outlets (LDH Wye)	\$1,239.00
H200-60-25NH	2-way ball valve 6" Storz lock inlet x (2) 2.5" NH male outlets (LDH Wye)	\$876.00
H200-40-25NHFS	2-way siamese gated (2) 2.5" NH female rocker lug inlets x 4" Storz lock outlet	\$770.00
H200-50-25NHFS	2-way siamese gated (2) 2.5" NH female rocker lug inlets x 5" Storz lock outlet	\$854.00
H200-60-25NHFS	2-way siamese gated (2) 2.5" NH female rocker lug inlets x 6" Storz lock outlet	\$975.00
H200-60NHFS-25NHFS	2-way ball valve 6" NH female swivel rocker lug x (2) 2.5" NH female swivel (LDH Wye)	\$942.00



Note: Appliances are available with Storz, NH, NPT, or flange connections. Call for pricing if your configuration is not listed

Harrington Inc. 2630 West 21st Street, Erie, PA USA 16506-2908 phone 800.553.0078 fax 814.838.7339
Info@harrinc.com



Long Handle Wye

H200-40NHLH-25NHM	2-way ball valve 4" NH female swivel long handle x (2) 2.5" NH male (LDH Wye)	\$782.00
H200-40NHLH-25NHFS	2-way ball valve 4" NH female swivel long handle x (2) 2.5" NH female swivel (LDH Wye)	\$882.00
H200-45NHLH-25NHM	2-way ball valve 4.5" NH female swivel long handle x (2) 2.5" NH male (LDH Wye)	\$782.00
H200-45NHLH-25NHFS	2-way ball valve 4.5" NH female swivel long handle x (2) 2.5" NH female swivel (LDH Wye)	\$882.00
H200-50NHLH-25NHM	2-way ball valve 5" NH female swivel long handle x (2) 2.5" NH male (LDH Wye)	\$796.00
H200-50NHLH-25NHFS	2-way ball valve 5" NH female swivel long handle x (2) 2.5" NH female swivel (LDH Wye)	\$896.00
H200-60NHLH-25NHM	2-way ball valve 6" NH female swivel long handle x (2) 2.5" NH male (LDH Wye)	\$844.00
H200-60NHLH-25NHFS	2-way ball valve 6" NH female swivel long handle x (2) 2.5" NH female swivel (LDH Wye)	\$944.00



H201 - Small 2-Way Ball Valves (Leader Line Wye)

Our lightest wye which is excellent for forestry and high rise packs.

Dimensions: Length: 10.5" Width: 9" Height: 8" Weight: 7 lbs

Small 2-Way Ball Valve	H201	List
H201-15NH-15NH	2-way ball valve 1.5" NH female swivel rocker lug inlet x (2) 1.5" NH male outlets (Leader Line Wye)	\$537.00
H201-25NH-15NH	2-way ball valve 2.5" NH female swivel rocker lug inlet x (2) 1.5" NH male outlets (Leader Line Wye)	\$513.00
H201-25NHFS-15NPSH	2-way ball valve 2.5" NH female swivel rocker lug inlet x (2) 1.5" NPSH male outlets (Leader Line Wye)	\$535.00
H201-25NH-10NH	2-way ball valve 2.5" NH female swivel rocker lug inlet x (2) 1" NH male outlets (Leader Line Wye)	\$535.00
H201-25NH-15NH/HR	2-way ball valve 2.5" NH female swivel rocker lug inlet x (2) 1.5" NH male outlets (Leader Line Wye) with small handles	\$560.00



H202 - Mid Size 2-Way Ball Valves (Leader Line Wye)

Standard 2 way ball valve for feeding two lines with one line. A light weight valve with powder coating for lasting finish. Hard anodized balls have stainless steel tappets for corrosion resistance.

Dimensions: Length: 10.5" Width: 9" Height: 8" Weight: 10 lbs

Mid-Size 2-Way Ball Valve	H202	List
H202-25NH-15NH	2-way ball valve Mid-Size 2.5" NH female swivel inlet x (2) 1.5" NH male outlets	\$707.00
H202-25NH-25NH	2-way ball valve Mid-Size 2.5" NH female swivel inlet x (2) 2.5" NH male outlets	\$607.00



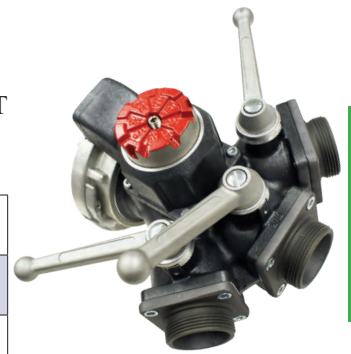
Note: Appliances are available with Storz, NH, NPT, or flange connections. Call for pricing if your configuration is not listed

H300 - 3-Way Ball Valves

Mid-size, light weight 3 way LDH ball valve feeds three smaller lines from one LDH line or feed one LDH line from up to three smaller lines. The balls are hard anodized with stainless steel tappets for corrosion resistance. Valve includes a field adjustable pressure relief valve. Specify the size of Storz or NST connections.

Dimensions: Length: 13.5" Width: 13" Height: 11" Weight: 23 lbs

3-Way Ball Valve	H300	List
H300-40-25NH	3-way ball valve 4" Storz lock inlet x (3) 2.5" NH male outlets w/ 250-S RV (LDH Wye)	\$1,402.00
H300-50-25NH	3-way ball valve 5" Storz lock inlet x (3) 2.5" NH male outlets w/ 250-S RV (LDH Wye)	\$1,350.00
H300-50FTS-25NH	3-way ball valve 5" Storz lock FTS inlet x (3) 2.5" NH male outlets w/ 250-S RV (LDH Wye)	\$1,834.00
H300-60-25NH	3-way ball valve 6" Storz lock inlet x (3) 2.5" NH male outlets w/ 250-S RV (LDH Wye)	\$1,538.00
H300-40-25NHFS	3-way siamese gated (3) 2.5" NH female swivel rocker lug inlets x 4" Storz lock outlet w/ 250-S RV	\$1,552.00
H300-50-25NHFS	3-way siamese gated (3) 2.5" NH female swivel rocker lug inlets x 5" Storz lock outlet w/ 250-S RV	\$1,501.00
H300-60-25NHFS	3-way siamese gated (3) 2.5" NH female swivel rocker lug inlets x 6" Storz lock outlet w/ 250-S RV	\$1,691.00



H301 - Small 3-Way Ball Valves (Water Thief)

Excellent device for high rise kits. Divides water into three hoses from one. Light weight construction. Hard anodized balls for corrosion resistance.

Dimensions: Length: 12" Width: 12" Height: 10" Weight: 14 lbs

Water Thief	H301 (Small)	List
H301-25NH-15NH	3-way ball valve 2.5" NH female swivel rocker lug inlet x (3) 1.5" NH male outlets (Water Thief)	\$859.00
H301-25NH-25NH-15NH	3-way ball valve 2.5" NH female swivel rocker lug inlet x (1) 2.5" NH male outlet (2) 1.5" NH male outlets (Water Thief)	\$913.00
H301-25NH-25NH	3-way ball valve 2.5" NH female swivel rocker lug inlet x (3) 2.5" NH male outlets (Water Thief)	\$913.00



H301 - 3-Way Manifolds

Light weight, 3 way LDH manifold, feeds two smaller lines from one LDH line and also has one straight through LDH outlet. The balls are hard anodized with stainless steel tappets for corrosion resistance. The manifold has an adjustable pressure relief valve and a liquid filled pressure gauge. Specify the size of Storz or NST connections.

Dimensions: Length: 16" Width: 16" Height: 13" Weight: 40 lbs

3-Way Manifold	H301 (Large)	List
H301-40-40-25NH	3-way ball valve 4" Storz lock inlet x (1) 4" Storz lock outlet (2) 2.5" NH male outlets w/ 250-S RV (LDH Manifold)	\$2,367.00
H301-50-50-25NH	3-way ball valve 5" Storz lock inlet x (1) 5" Storz lock outlet (2) 2.5" NH male outlets w/ 250-S RV (LDH Manifold)	\$2,401.00
H301-50FTS-50-25NH	3-way ball valve 5" Storz lock FTS inlet x (1) 5" Storz lock outlet (2) 2.5" NH male outlets w/ 250-S RV (LDH Manifold)	\$2,884.00
H301-60-60-25NH	3-way ball valve 6" Storz lock inlet x (1) 6" Storz lock outlet (2) 2.5" NH male outlets w/ 250-S RV (LDH Manifold)	\$2,709.00
H301GV-50-25NH	3-way ball valve 5" Storz lock inlet x (1) 5" Storz lock Gate Valve outlet (2) 2.5" NH male Gate Valve outlets w/ 250-S RV and pressure gage	Call

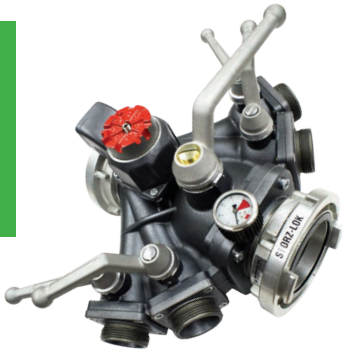


Note: Appliances are available with Storz, NH, NPT, or flange connections. Call for pricing if your configuration is not listed

H400 - 5-Way Manifolds

Light weight, 5 way LDH manifold, feeds four smaller lines from one LDH line and also has one straight through LDH outlet. The balls are hard anodized with stainless steel tappets for corrosion resistance. The manifold has an adjustable pressure relief valve and a liquid filled pressure gauge. Specify the size of Storz or NST connections.

Dimensions: Length: 17" Width: 24" Height: 13" Weight: 51 lbs



5-Way Manifold	H400	List
H400-40-40-25NH	5-way ball valve 4" Storz lock inlet x (1) 4" Storz lock outlet (4) 2.5" NH male outlets w/ 250-S RV (LDH Manifold)	\$2,638.00
H400-50-50-25NH	5-way ball valve 5" Storz lock inlet x (1) 5" Storz lock outlet (4) 2.5" NH male outlets w/ 250-S RV (LDH Manifold)	\$2,569.00
H400-50FTS-50-25NH	5-way ball valve 5" Storz lock FTS inlet x (1) 5" Storz lock outlet (4) 2.5" NH male outlets w/ 250-S RV (LDH Manifold)	\$3,053.00
H400-60-60-25NH	5-way ball valve 6" Storz lock inlet x (1) 6" Storz lock outlet (4) 2.5" NH male outlets w/ 250-S RV (LDH Manifold)	\$2,878.00
H400GV-50-25NH	5-way ball valve 5" Storz lock inlet x (1) 5" Storz lock gate valve outlet x (4) 2.5" NH male gate valve outlets w/ 250-S RV (LDH Manifold)	Call

H600 - Super Flow 2-Way Ball Valves

Large, light-weight 2 way LDH ball valve. Feed two LDH hoses from a single LDH line or one LDH hose from two LDH hoses. The Super Flow ball valve has low friction loss due to a high flow water way design. Hard anodized balls with stainless steel tappets for corrosion resistance. This design permits feed from either direction. Includes adjustable pressure relief valve for added safety. Specify the size of Storz or NST connections.

Dimensions: Length: 18" Width: 16" Height: 12" Weight: 47 Lbs



Superflow 2-Way Ball Valve	H600	List
H600-40-40ST	2-way ball valve Superflow 4" Storz lock inlet x (2) 4" Storz lock outlets w/ 250-S RV (LDH Wye)	\$3,028.00
H600-50-40ST	2-way ball valve Superflow 5" Storz lock inlet x (2) 4" Storz lock outlets w/ 250-S RV (LDH Wye)	\$2,976.00
H600-50-50ST	2-way ball valve Superflow 5" Storz lock inlet x (2) 5" Storz lock outlets w/ 250-S RV (LDH Wye)	\$2,873.00
H600-50FTS-50ST	2-way ball valve Superflow 5" Storz lock FTS inlet x (2) 5" Storz lock outlets w/ 250-S RV (LDH Wye)	\$3,290.00
H600-60-60ST	2-way ball valve Superflow 6" Storz lock inlet x (2) 6" Storz lock outlets w/ 250-S RV (LDH Wye)	\$3,541.00
H600-60NHFS-50ST	2-way ball valve Superflow 6" NH Female Swivel inlet x (2) 5" Storz lock outlets w/ 250-S RV (LDH Wye)	\$3,019.00

Hydrant Valves

H700 - LDH Hydrant Valves (Hydrassist)

Excellent for boosting pressure on long hose lays or for boosting low hydrant pressures. The light-weight hydrant valve enables the first-in pumper to lay LDH directly from the hydrant to the fire and when hose lay is completed, start flowing water from the hydrant. If additional pressure is required, another pumper can connect to the Hydrassist valve and start pumping to raise pressure and flow without interrupting the established water supply. The valve provides an emergency shut-down capability. Choose from a variety of sizes of Storz or NST connections.

Dimensions: Height: 13" Extension: 12.75" Width: 17" Weight: 25 lbs

Friction loss at 1000 GPM: 3.3 PSI.



Hydrant Assist Valve	H700	List
H700-40-45NH	Hydrant valve 5" HYDRASSIST 4.5" NH female swivel long handle inlet x (3) 4" Storz lock connections	\$2,418.00
H700-40-40ST	Hydrant valve 5" HYDRASSIST 4" Storz lock swivel inlet x (3) 4" Storz lock connections	\$2,490.00
H700-50-45NH	Hydrant valve 5" HYDRASSIST 4.5" NH female swivel long handle inlet x (3) 5" Storz lock connections	\$2,244.00
H700-50-50ST	Hydrant valve 5" HYDRASSIST 5" Storz lock swivel inlet x (3) 5" Storz lock connections	\$2,309.00

HHBV - Hydrant Ball Valves

Quarter turn, full flow, 2.5" ball valve for double dressing hydrants, tanker fill site, in line water flow control, or other portable uses. Lightweight durable ball valve, 2.5" NH FM swivel X 2.5" NH M, quarter turn, hard coated ball, full flow design, multiple portable uses for control of water flow.

Dimensions: Extension: 5.5" Width: 4" Height: 7" Weight: 5 lbs

Hydrant Ball Valve	HHBV	List
HHBV-25NH-25NH	Ball valve 2.5" NH female swivel inlet x 2.5" NH male (hydrant ball valve)	\$418.00
HHBV-25sp.-25sp.	Ball valve 2.5" special female swivel inlet x 2.5" special male (hydrant ball valve)	\$458.00
HHBV-40-25NH	Ball valve 2.5" NH female swivel inlet x 4" Storz (hydrant ball valve)	\$556.00
HHBV-50-25NH	Ball valve 2.5" NH female swivel inlet x 5" Storz (hydrant ball valve)	\$591.00



NOTE: Appliances are available with Storz, NH, NPT, or flange connections. Call for pricing if your configuration is not listed



HHGV - Hydrant Gate Valves

2.5" NH female swivel x 2.5" NH male gate valve with a non rising stem is excellent for hydrant and other water control. There is a spinning knob on hand wheel for easy open/close, with a built in slow close safety operation. Lightweight anodized all metal corrosion resistance construction and a stainless steel spindle. 250 PSI working pressure rating

Dimensions: Extension: 6" Width: 5" Height: 9" Weight: 4.5 lbs

Hydrant Gate Valve	HHGV	List
HHGV-25NH-25NH	Gate valve 2.5" straight 2.5" NH female swivel rocker lug inlet x 2.5" NH male (hydrant gate valve)	\$390.00
HHGV-25sp.-25sp.	Gate valve 2.5" special female swivel inlet x 2.5" special male (hydrant gate valve)	\$466.00

Standard Gate Valves

H800 - 4" Straight Gate Valves

This LDH hydrant gate valve provides low friction loss due to a high flow design. It is excellent for hydrant discharge control, due to providing a slow open/close mechanism. The light weight gate valve has an air bleeder valve, a non-rising stem, an anodized gate, and a stainless steel spindle.

Dimensions: Extension: 10.5" Width: 6" Height: 14" Weight: 21 lbs

Friction loss at 1000 GPM: 0.8 PSI

4" Gate Valves	H800 series	List
H800-40-40NH	Gate valve 4" straight 4" NH female swivel rocker lug inlet x 4" Storz lock outlet	\$1,130.00
H800-40-45NH	Gate valve 4" straight 4.5" NH female swivel rocker lug inlet x 4" Storz lock outlet	\$1,137.00
H800-40-50NH	Gate valve 4" straight 5" NH female swivel rocker lug inlet x 4" Storz lock outlet	\$1,132.00
H800-40-60NH	Gate valve 4" straight 6" NH female swivel rocker lug inlet x 4" Storz lock outlet	\$1,240.00
H800-40NHM-40NH	Gate valve 4" straight 4" NH female swivel rocker lug inlet x 4" NH male outlet	\$1,128.00
H800-45NHM-45NH	Gate valve 4" straight 4.5" NH female swivel rocker lug inlet x 4.5" NH male outlet	\$1,163.00
H800-40-40ST	Gate valve 4" straight 4" Storz lock inlet x 4" Storz lock outlet	\$1,210.00
H800-50-40NH	Gate valve 4" straight 4" NH female swivel rocker lug inlet x 5" Storz lock outlet	\$1,229.00
H800-50-45NH	Gate valve 4" straight 4.5" NH female swivel rocker lug inlet x 5" Storz lock outlet	\$1,229.00
H800-50-50NH	Gate valve 4" straight 5" NH female swivel rocker lug inlet x 5" Storz lock outlet	\$1,243.00
H800-50-60NH	Gate valve 4" straight 6" NH female swivel rocker lug inlet x 5" Storz lock outlet	\$1,350.00
H800-50-50ST	Gate valve 4" straight 5" Storz lock inlet x 5" Storz lock outlet	\$1,307.00



NOTE: Appliances are available with Storz, NH, NPT, or flange connections. Call for pricing if your configuration is not listed

810 - 25° Elbow 4" Gate Valves with Field Adjustable Pressure Relief Valve

This LDH hydrant gate valve has the following features: slow open/close, a 25 degree elbow, and low friction loss due to a high flow waterway design. The light weight gate valve has a non rising stem, an air bleeder valve, a field adjustable pressure relief valve, an anodized gate, and a stainless steel spindle. Choose from a variety of sizes of Storz or NST connections.

Dimensions: Extension: 12.5" Width: 7" Height: 15" Weight: 24 lbs
Friction Loss at 1000 GPM: 0.8 PSI.



H810-40-40NH	Gate valve 4" w/ 25° elbow w/ 250-S RV 4" Storz lock inlet x 4" NH female swivel rocker lug outlet	\$1,498.00
H810-40-45NH	Gate valve 4" w/ 25° elbow w/ 250-S RV 4" Storz lock inlet x 4.5" NH female swivel rocker lug outlet	\$1,505.00
H810-40-50NH	Gate valve 4" w/ 25° elbow w/ 250-S RV 4" Storz lock inlet x 5" NH female swivel rocker lug outlet	\$1,500.00
H810-40-60NH	Gate valve 4" w/ 25° elbow w/ 250-S RV 4" Storz lock inlet x 6" NH female swivel rocker lug outlet	\$1,607.00
H810-40-40ST	Gate valve 4" w/ 25° elbow w/ 250-S RV 4" Storz lock inlet x 4" Storz lock outlet	\$1,580.00
H810-50-40NH	Gate valve 4" w/ 25° elbow w/ 250-S RV 5" Storz lock inlet x 4" NH female swivel rocker lug outlet	\$1,598.00
H810-50-45NH	Gate valve 4" w/ 25° elbow w/ 250-S RV 5" Storz lock inlet x 4.5" NH female swivel rocker lug outlet	\$1,595.00
H810-50-50NH	Gate valve 4" w/ 25° elbow w/ 250-S RV 5" Storz lock inlet x 5" NH female swivel rocker lug outlet	\$1,611.00
H810-50-60NH	Gate valve 4" w/ 25° elbow w/ 250-S RV 5" Storz lock inlet x 6" NH female swivel rocker lug outlet	\$1,718.00
H810-60NHM-60NH	Gate valve 4" w/ 25° elbow w/ 250-S RV 6" NH male inlet x 6" NH female swivel rocker lug outlet	\$1,694.00
H810-50-50ST	Gate valve 4" w/ 25° elbow w/ 250-S RV 5" Storz lock inlet x 5" Storz lock outlet	\$1,674.00

H811 - 25° Elbow 4" Gate Valves

This LDH hydrant gate valve has the following features: slow open/close, a 25 degree elbow, and low friction loss due to a high flow waterway design. The light weight gate valve has a non rising stem, an air bleeder valve, an anodized gate, and a stainless steel spindle. Choose from a variety of sizes of Storz or NST connections.

Dimensions: Extension: 12.5" Width: 6" Height: 15" Weight: 22 lbs
Friction Loss at 1000 GPM: 0.8 PSI.



H811-40-40NH	Gate valve 4" w/ 25° elbow 4" NH female swivel rocker lug inlet x 4" Storz lock outlet	\$1,240.00
H811-40-40NHLH	Gate valve 4" w/ 25° elbow 4" NH female swivel long handle inlet x 4" Storz lock outlet	\$1,252.00
H811-40-40NPSH	Gate valve 4" w/ 25° elbow 4" NH female swivel rocker lug inlet x 4" Storz lock outlet	\$1,240.00
H811-40-45NH	Gate valve 4" w/ 25° elbow 4.5" NH female swivel rocker lug inlet x 4" Storz lock outlet	\$1,240.00
H811-40-45NHLH	Gate valve 4" w/ 25° elbow 4.5" NH female swivel long handle inlet x 4" Storz lock outlet	\$1,241.00

NOTE: Appliances are available with Storz, NH, NPT, or flange connections. Call for pricing if your configuration is not listed

H811-40-50NH	Gate valve 4" w/ 25° elbow 5" NH female swivel rocker lug inlet x 4" Storz lock outlet	\$1,254.00
H811-40-60NH	Gate valve 4" w/ 25° elbow 6" NH female swivel rocker lug inlet x 4" Storz lock outlet	\$1,361.00
H811-45NHM-45NH	Gate valve 4" w/ 25° elbow 4.5" NH female swivel rocker lug inlet x 4.5" NH male outlet	\$1,257.00
H811-40-40ST	Gate valve 4" w/ 25° elbow 4" Storz lock inlet x 4" Storz lock outlet	\$1,334.00
H811-50-40NH	Gate valve 4" w/ 25° elbow 4" NH female swivel rocker lug inlet x 5" Storz lock outlet	\$1,324.00
H811-50-45NH	Gate valve 4" w/ 25° elbow 4.5" NH female swivel rocker lug inlet x 5" Storz lock outlet	\$1,323.00
H811-50-50NH	Gate valve 4" w/ 25° elbow 5" NH female swivel rocker lug inlet x 5" Storz lock outlet	\$1,338.00
H811-50-60NH	Gate valve 4" w/ 25° elbow 6" NH female swivel rocker lug inlet x 5" Storz lock outlet	\$1,444.00
H811-50-50ST	Gate valve 4" w/ 25° elbow 5" Storz lock inlet x 5" Storz lock outlet	\$1,402.00
H811-50-50NPSH/ Cap	Gate valve 4" w/ 25° elbow 5" NPSH female swivel rocker lug inlet x 5" Storz lock outlet with 5" Storz Cap	\$1,434.00

H814 - Straight 4" Gate Valves with Relief

This LDH gate valve has the following features: slow open/close, a field adjustable pressure relief valve, and low friction loss due to a high flow waterway design. The light weight gate valve has a non rising stem, an air bleeder valve, an anodized gate, and a stainless steel spindle. Choose from a variety of sizes of Storz or NST connections.

Dimensions: Extension: 12.5" Width: 7" Height: 14" Weight: 24 lbs
Friction Loss at 1000 GPM: 0.8 PSI.



H814-40-40NH	Gate valve 4" straight w/ PRV 4" NH female swivel rocker lug inlet x 4" Storz lock outlet	\$1,755.00
H814-40-45NH	Gate valve 4" straight w/ PRV 4.5" NH female swivel rocker lug inlet x 4" Storz lock outlet	\$1,756.00
H814-40-50NH	Gate valve 4" straight w/ PRV 5" NH female swivel rocker lug inlet x 4" Storz lock outlet	\$1,771.00
H814-40-60NH	Gate valve 4" straight w/ PRV 6" NH female swivel rocker lug inlet x 4" Storz lock outlet	\$1,879.00
H814-40-40ST	Gate valve 4" straight w/ PRV 4" Storz lock inlet x 4" Storz lock outlet	\$1,850.00
H814-50-40NH	Gate valve 4" straight w/ PRV 4" NH female swivel rocker lug inlet x 5" Storz lock outlet	\$1,840.00
H814-50-45NH	Gate valve 4" straight w/ PRV 4.5" NH female swivel rocker lug inlet x 5" Storz lock outlet	\$1,839.00
H814-50-50NH	Gate valve 4" straight w/ PRV 5" NH female swivel rocker lug inlet x 5" Storz lock outlet	\$1,854.00
H814-50-60NH	Gate valve 4" straight w/ PRV 6" NH female swivel rocker lug inlet x 5" Storz lock outlet	\$1,962.00
H814-50-50ST	Gate valve 4" straight w/ PRV 5" Storz lock inlet x 5" Storz lock outlet	\$1,918.00

NOTE: Appliances are available with Storz, NH, NPT, or flange connections. Call for pricing if your configuration is not listed

Super Flow 6" Gate Valves

This LDH gate valve has our largest water way which provides low friction loss due to a high flow design. The light weight gate valve is available in three configurations, Straight, 30' elbow or elbow with relief valve, all models include a 3/4" air bleeder valve, a non-rising stem, an anodized gate, and a stainless steel spindle. Choose from a variety of sizes of Storz, NST or Flange connections.

Dimensions: Extension: 10", Width: 8.5", Height: 16", Weight: 30 lbs

Friction loss at 1000 GPM-0.1 psi.

H860 - Super Flow Straight 6" Gate Valves

6" Gate Valves	H860 series	List
H860-45NHM-45NH	Gate valve 6" superflow straight 4.5" NH female swivel rocker lug inlet x 4.5" NH male outlet	\$3,176.00
H860-50-45NH	Gate valve 6" superflow straight 4.5" NH female swivel rocker lug inlet x 5" Storz lock outlet	\$3,176.00
H860-50-50NH	Gate valve 6" superflow straight 5" NH female swivel rocker lug inlet x 5" Storz lock outlet	\$3,123.00
H860-50-60NH	Gate valve 6" superflow straight 6" NH female swivel rocker lug inlet x 5" Storz lock outlet	\$3,123.00
H860-60-60NH	Gate valve 6" superflow straight 6" NH female swivel rocker lug inlet x 6" Storz lock outlet	\$3,063.00
H860-60NHM-60NH	Gate valve 6" superflow straight 6" NH female swivel rocker lug inlet x 6" NH male outlet	\$3,063.00



H861 - 25° Elbow 6" Gate Valves

H861-50-45NH	Gate valve 6" superflow w/ 25° elbow 4.5" NH female swivel rocker lug inlet x 5" Storz lock outlet	\$3,120.00
H861-50-60NH	Gate valve 6" superflow w/ 25° elbow 6" NH female swivel rocker lug inlet x 5" Storz lock outlet	\$3,066.00
H861-60-60NH	Gate valve 6" superflow w/ 25° elbow 6" NH female swivel rocker lug inlet x 6" Storz lock outlet	\$3,007.00
H861-60NHM-60NH	Gate valve 6" superflow w/ 25° elbow 6" NH female swivel rocker lug inlet x 6" NH male outlet	\$3,054.00



Siamese Valves

HJ20 - Jumbo Siamese - Double Clappered

Large two way Clappered Siamese, excellent design for supplying one "LDH" line from two "LDH" lines. Siamese features rubber covered convenient carrying handle. Inlets are individually Clappered. Specify the size of Storz or NST connections

Dimensions: Length: 18" Width: 14" Height: 9" Weight: 26 lbs

Jumbo 2-Way Siamese	HJ20 (clappered) & HJ22 (NON-clappered)	List
HJ20-40-40ST	2-way siamese jumbo clappered (2) 4" Storz lock inlet x 4" Storz lock outlet	\$1,615.00
HJ20-50-50ST	2-way siamese jumbo clappered (2) 5" Storz lock inlet x 5" Storz lock outlet	\$1,615.00
HJ20-60-50ST	2-way siamese jumbo clappered (2) 5" Storz lock inlet x 6" Storz lock outlet	\$1,801.00
HJ22-60NHFS-50ST	2-Way Siamese non-clappered (2) 5" Storz x (1) 6" NH Female Swivel Rocker Lug	\$2,076.00
HJ22-60NHLH-60NHM	2-Way Siamese non-clappered (2) 6" NH Male x (1) 6" NH Female Swivel Long Handle	\$1,832.00
HJ22-60ST-60ST	2-Way Siamese non-clappered (2) 6" Storz lock inlet x 6" Storz lock outlet	\$1,953.00



NOTE: Appliances are available with Storz, NH, NPT, or flange connections. Call for pricing if your configuration is not listed

H220 - 2-Way Siamese

Light weight, single clappered Siamese for supplying one LDH line from two smaller lines. The aluminium alloy is powder coated for long lasting finish and corrosion resistance. The one clapper design will close off the non pressurized inlet while permitting flow from the pressurized inlet. Choose from a variety of sizes of Storz or NST adapters.

Dimensions: Length: 10.5" Width: 9.5" Height: 8" Weight: 11 lbs



2-Way Siamese	H220	List
H220-25NHM-25NHFS	2-way siamese clappered (2) 2.5" NH female rocker lug inlets x 2.5" NH male outlet	\$409.00
H220-40-25NH	2-way siamese clappered (2) 2.5" NH female rocker lug inlets x 4" Storz lock outlet	\$492.00
H220-40-25ST	2-way siamese clappered (2) 2.5" Storz inlets x 4" Storz lock outlet	\$458.00
H220-40-30ST	2-way siamese clappered (2) 3" Storz inlets x 4" Storz lock outlet	\$449.00
H220-40SW-25NH	2-way siamese clappered (2) 2.5" NH female rocker lug inlets x 4" Storz lock swivel outlet	\$592.00
H220-50-25NH	2-way siamese clappered (2) 2.5" NH female rocker lug inlets x 5" Storz lock outlet	\$526.00
H220-50-25ST	2-way siamese clappered (2) 2.5" Storz inlets x 5" Storz lock outlet	\$450.00
H220-50-30ST	2-way siamese clappered (2) 3" Storz inlets x 5" Storz lock outlet	\$441.00
H220-50SW-25NH	2-way siamese clappered (2) 2.5" NH female rocker lug inlets x 5" Storz lock swivel outlet	\$567.00
H220-50NHFS-25NHFS	2-way siamese clappered (2) 2.5" NH female rocker lug inlets x 5" NH female rocker lug outlet	\$527.00
H220-60NHFS-25NHFS	2-way siamese clappered (2) 2.5" NH female rocker lug inlets x 6" NH female rocker lug outlet	\$617.00
Non-Clappered		
H220-40SW-25NH/LC	2-way siamese less clapper (2) 2.5" NH male outlets x 4" Storz lock swivel inlet	\$592.00
H220-50SW-25NH/LC	2-way siamese less clapper (2) 2.5" NH male outlets x 5" Storz lock swivel inlet	\$567.00
H220-40NHFS-25NHM/LC	2-way siamese less clapper (2) 2.5" NH male outlets x 4" NH female swivel rocker lug inlet	\$500.00
H220-45NHFS-25NHM/LC	2-way siamese less clapper (2) 2.5" NH male outlets x 4.5" NH female swivel rocker lug inlet	\$507.00
H220-50-25NHGV/LC	2-way siamese less clapper (2) 2.5" NH male gate valve (HHGV) outlets x 5" Storz lock rigid Inlet	\$982.00

H330 - 3-Way Siamese

Light weight, 3 way clappered Siamese for supplying one LDH line from up to three smaller lines, each clappered individually. Specify the size of Storz or NST connections.

Dimensions: Length: 15.5" Width: 14" Height: 9" Weight: 9 lbs



3-Way Siamese	H330	List
H330-40-25NH	3-way siamese clappered (3) 2.5" NH female swivel rocker lug inlets x 4" Storz lock outlet	\$955.00
H330-50-25NH	3-way siamese clappered (3) 2.5" NH female swivel rocker lug inlets x 5" Storz lock outlet	\$914.00
H330-60-25NH	3-way siamese clappered (3) 2.5" NH female swivel rocker lug inlets x 6" Storz lock outlet	\$1,104.00

H440 - 4-Way Siamese

Light weight anodized corrosion resistance all metal construction the 4 way Clappered Siamese is used for supplying one LDH line from up to four smaller lines. Each inlet is Clappered individually and can be fed individually or from all four smaller lines. Features stainless steel clapper assemblies “forged” Storz heads, and stainless steel balls in swivel races. Includes a carrying handle. Specify the size of Storz or NST connections.

Dimensions: Length: 15” Width: 19” Height: 9” Weight: 15 lbs



4-Way Siamese	H440	List
H440-40-25NH	4-way siamese clappered (4) 2.5" NH female swivel rocker lug inlet x 4" Storz lock outlet	\$1,292.00
H440-50-25NH	4-way siamese clappered (4) 2.5" NH female swivel rocker lug inlet x 5" Storz lock outlet	\$1,257.00
H440-60-25NH	4-way siamese clappered (4) 2.5" NH female swivel rocker lug inlet x 6" Storz lock outlet	\$1,444.00

Storz Elbow Adapters - With Relief Valve

Short 30° elbow which includes a field adjustable pressure relief valve (75-250 PSI) and air bleeder. Hard coat anodizing to Military Specification, Type 3. All female swivels utilize stainless steel ball bearing or aluminum roller bearings, no plastic.

Available in 2 adapter configurations



H30ERV - Storz x Female Swivel Rocker Lug

Elbow 25° w/RV	H30ERV	List
H30ERV-40-25NH	Elbow 25° w/ 250-S RV 4" Storz with lock x 2.5" NH female swivel rocker lug	\$893.00
H30ERV-40-30NH	Elbow 25° w/ 250-S RV 4" Storz with lock x 3" NH female swivel rocker lug	\$940.00
H30ERV-40-35NH	Elbow 25° w/ 250-S RV 4" Storz with lock x 3.5" NH female swivel rocker lug	\$942.00
H30ERV-40-40NH	Elbow 25° w/ 250-S RV 4" Storz with lock x 4" NH female swivel rocker lug	\$969.00
H30ERV-40-45NH	Elbow 25° w/ 250-S RV 4" Storz with lock x 4.5" NH female swivel rocker lug	\$973.00
H30ERV-40-50NH	Elbow 25° w/ 250-S RV 4" Storz with lock x 5" NH female swivel rocker lug	\$983.00
H30ERV-40-60NH	Elbow 25° w/ 250-S RV 4" Storz with lock x 6" NH female swivel rocker lug	\$1,075.00
H30ERV-40-40ST	Elbow 25° w/ 250-S RV 4" Storz with lock x 4" Storz lock swivel	\$1,154.00
H30ERV-50-25NH	Elbow 25° w/ 250-S RV 5" Storz with lock x 2.5" NH female swivel rocker lug	\$856.00
H30ERV-50-30NH	Elbow 25° w/ 250-S RV 5" Storz with lock x 3" NH female swivel rocker lug	\$896.00
H30ERV-50-35NH	Elbow 25° w/ 250-S RV 5" Storz with lock x 3.5" NH female swivel rocker lug	\$900.00
H30ERV-50-40NH	Elbow 25° w/ 250-S RV 5" Storz with lock x 4" NH female swivel rocker lug	\$913.00
H30ERV-50-45NH	Elbow 25° w/ 250-S RV 5" Storz with lock x 4.5" NH female swivel rocker lug	\$917.00
H30ERV-50-50NH	Elbow 25° w/ 250-S RV 5" Storz with lock x 5" NH female swivel rocker lug	\$927.00
H30ERV-50-60NH	Elbow 25° w/ 250-S RV 5" Storz with lock x 6" NH female swivel rocker lug	\$1,019.00
H30ERV-50-50ST	Elbow 25° w/ 250-S RV 5" Storz with lock x 5" Storz lock swivel	\$1,096.00
H30ERV-60-40NH	Elbow 25° w/ 250-S RV 6" Storz with lock x 4" NH female swivel rocker lug	\$1,067.00

H30ERV-60-45NH	Elbow 25° w/ 250-S RV 6" Storz with lock x 4.5" NH female swivel rocker lug	\$1,071.00
H30ERV-60-50NH	Elbow 25° w/ 250-S RV 6" Storz with lock x 5" NH female swivel rocker lug	\$1,081.00
H30ERV-60-60NH	Elbow 25° w/ 250-S RV 6" Storz with lock x 6" NH female swivel rocker lug	\$1,173.00



Small Threaded Elbows	H30E-small, thread to thread	List
H30E-25NHM-25NH	Elbow 30° 2.5" NH female swivel rocker lug x 2.5" NH male	\$99.00
H30E-30NHM-30NH	Elbow 30° 3" NH female swivel rocker lug x 3" NH male	\$147.00

H30E - Storz x Female Swivel Rocker Lug

Short 30° elbow adapter; hard anodized and powder coated for corrosion resistance and protection

Elbow 30° - Storz x Female RL	H30E-RL	List
H30E-25-25NH	Elbow 30° 2.5" NH female swivel rocker lug x 2.5" Storz	\$120.00
H30E-25-30NH	Elbow 30° 3" NH female swivel rocker lug x 2.5" Storz	\$150.00
H30E-30-25NH	Elbow 30° 2.5" NH female swivel rocker lug x 3" Storz	\$120.00
H30E-30-30NH	Elbow 30° 3" NH female swivel rocker lug x 3" Storz	\$232.00
H30E-40-25NH	Elbow 30° 2.5" NH female swivel rocker lug x 4" Storz with lock	\$239.00
H30E-40-30NH	Elbow 30° 3" NH female swivel rocker lug x 4" Storz with lock	\$337.00
H30E-40-35NH	Elbow 30° 3.5" NH female swivel rocker lug x 4" Storz with lock	\$336.00
H30E-40-40NH	Elbow 30° 4" NH female swivel rocker lug x 4" Storz with lock	\$303.00
H30E-40-40NH w/CAP	Elbow 30 degree 4" NH female swivel rocker lug X 4" Storz with lock with 4" Storz cap	\$378.00
H30E-40-40NPT	Elbow 30° 4" NPT female rigid x 4" Storz with lock	\$203.00
H30E-40-40NPT/Cap	Elbow 30° 4" NPT female rigid x 4" Storz with lock with 4" Storz Cap/cable	\$278.00
H30E-40-40NPTM	Elbow 30° 4" NPT male rigid x 4" Storz with lock	\$279.00
H30E-40-40NPTM/ Cap	Elbow 30° 4" NPT male rigid x 4" Storz with lock with 4" Storz Cap/cable	\$354.00
H30E-40-40NPSH	Elbow 30° 4" NPSH female swivel rocker lug x 4" Storz with lock	\$303.00
H30E-40-40NPSH/Cap	Elbow 30° 4" NPSH female swivel rocker lug x 4" Storz with lock with 4" Storz Cap/cable	\$378.00
H30E-40-45NH	Elbow 30° 4.5" NH female swivel rocker lug x 4" Storz with lock	\$311.00
H30E-40-50NH	Elbow 30° 5" NH female swivel rocker lug x 4" Storz with lock	\$371.00
H30E-40-60NH	Elbow 30° 6" NH female swivel rocker lug x 4" Storz with lock	\$471.00
H30E-40-60NPT	Elbow 30° 6" NPT female rigid x 4" Storz with lock	\$344.00
H30E-40-60NPT/Cap	Elbow 30° 6" NPT female rigid x 4" Storz with lock with 4" Storz Cap/cable	\$419.00
H30E-40-60NPTM	Elbow 30° 6" NPT male rigid x 4" Storz with lock	\$329.00
H30E-40-60NPTM/ Cap	Elbow 30° 6" NPT male rigid x 4" Storz with lock with 4" Storz Cap/cable	\$404.00
H30E-50-25NH	Elbow 30° 2.5" NH female swivel rocker lug x 5" Storz with lock	\$277.00
H30E-50-25NHM	Elbow 30° 2.5" NH male x 5" Storz with lock	\$346.00



H30E-50-30NH	Elbow 30° 3" NH female swivel rocker lug x 5" Storz with lock	\$320.00
H30E-50-35NH	Elbow 30° 3.5" NH female swivel rocker lug x 5" Storz with lock	\$400.00
H30E-50-40NH	Elbow 30° 4" NH female swivel rocker lug x 5" Storz with lock	\$328.00
H30E-50-40NPT	Elbow 30° 4" NPT female rigid x 5" Storz with lock	\$255.00
H30E-50-40NPT/Cap	Elbow 30° 4" NPT female rigid x 5" Storz with lock with 5" Storz Cap/cable	\$359.00
H30E-50-40NPTM	Elbow 30° 4" NPT male rigid x 5" Storz with lock	\$257.00
H30E-50-40NPTM/ Cap	Elbow 30° 4" NPT male rigid x 5" Storz with lock with 5" Storz Cap/cable	\$361.00
H30E-50-40NPSH	Elbow 30° 4" NPSH female swivel rocker lug x 5" Storz with lock	\$328.00
H30E-50-40NPSH/Cap	Elbow 30° 4" NPSH female swivel rocker lug x 5" Storz with lock with 5" Storz Cap/cable	\$432.00
H30E-50-45NH	Elbow 30° 4.5" NH female swivel rocker lug x 5" Storz with lock	\$344.00
H30E-50-45NH/Cap	Elbow 30° 4.5" NH female swivel rocker lug x 5" Storz with lock with 5" Storz Cap/cable	\$448.00
H30E-50-50NH	Elbow 30° 5" NH female swivel rocker lug x 5" Storz with lock	\$355.00
H30E-50-50NH/Cap	Elbow 30° 5" NH female swivel rocker lug x 5" Storz with lock with 5" Storz Cap/cable	\$459.00
H30E-50-60NH	Elbow 30° 6" NH female swivel rocker lug x 5" Storz with lock	\$417.00
H30E-50-25NH/FTS	Elbow 30° 2.5" NH female swivel rocker lug x 5" Storz with lock full time swivel	\$549.00
H30E-50-30NH/FTS	Elbow 30° 3" NH female swivel rocker lug x 5" Storz with lock full time swivel	\$592.00
H30E-50-35NH/FTS	Elbow 30° 3.5" NH female swivel rocker lug x 5" Storz with lock full time swivel	\$672.00
H30E-50-40NH/FTS	Elbow 30° 4" NH female swivel rocker lug x 5" Storz with lock full time swivel	\$600.00
H30E-50-45NH/FTS	Elbow 30° 4.5" NH female swivel rocker lug x 5" Storz with lock full time swivel	\$616.00
H30E-50-50NH/FTS	Elbow 30° 5" NH female swivel rocker lug x 5" Storz with lock full time swivel	\$627.00
H30E-50-60NH/FTS	Elbow 30° 6" NH female swivel rocker lug x 5" Storz with lock full time swivel	\$689.00
H30E-50-60NPT	Elbow 30° 6" NPT female rigid x 5" Storz with lock	\$290.00
H30E-50-60NPT/Cap	Elbow 30° 6" NPT female rigid x 5" Storz with lock with 5" Storz Cap/cable	\$394.00
H30E-50-60NPTM	Elbow 30° 6" NPT male rigid x 5" Storz with lock	\$268.00
H30E-50-60NPTM/ Cap	Elbow 30° 6" NPT male rigid x 5" Storz with lock with 5" Storz Cap/cable	\$372.00
H30E-50-60NPSH	Elbow 30° 6" NPSH female swivel rocker lug x 5" Storz with lock	\$417.00
H30E-50-60NPSH/Cap	Elbow 30° 6" NPSH female swivel rocker lug x 5" Storz with lock with 5" Storz Cap/cable	\$521.00
H30E-60-40NH	Elbow 30° 4" NH female swivel rocker lug x 6" Storz with lock	\$520.00
H30E-60-45NH	Elbow 30° 4.5" NH female swivel rocker lug x 6" Storz with lock	\$521.00
H30E-60-50NH	Elbow 30° 5" NH female swivel rocker lug x 6" Storz with lock	\$532.00
H30E-60-60NH	Elbow 30° 6" NH female swivel rocker lug x 6" Storz with lock	\$543.00
H30E-60-60NPT	Elbow 30° 6" NPT female rigid x 6" Storz with lock	\$392.00
H30E-60-60NPT/Cap	Elbow 30° 6" NPT female rigid x 6" Storz with lock with 6" Storz Cap/cable	\$580.00
H30E-60-60NPTM	Elbow 30° 6" NPT male rigid x 6" Storz with lock	\$392.00
H30E-60-60NPTM/ Cap	Elbow 30° 6" NPT male rigid x 6" Storz with lock with 6" Storz Cap/cable	\$580.00



H30E - Storz x Female Swivel Long Handle

Short 30° elbow adapter; hard anodized and powder coated for corrosion resistance and protection

Elbow 30° - Storz x Female LH	H30E-LH	List
H30E-25-25NHLH	Elbow 30° 2.5" NH female swivel long handle x 2.5" Storz with lock	\$133.00
H30E-25-30NHLH	Elbow 30° 3" NH female swivel long handle x 2.5" Storz with lock	\$157.00
H30E-30-25NHLH	Elbow 30° 2.5" NH female swivel long handle x 3" Storz with lock	\$133.00
H30E-30-30NHLH	Elbow 30° 3" NH female swivel long handle x 3" Storz with lock	\$164.00
H30E-40-25NHLH	Elbow 30° 2.5" NH female swivel long handle x 4" Storz with lock	\$252.00
H30E-40-30NHLH	Elbow 30° 3" NH female swivel long handle x 4" Storz with lock	\$341.00
H30E-40-35NHLH	Elbow 30° 3.5" NH female swivel long handle x 4" Storz with lock	\$349.00
H30E-40-40NHLH	Elbow 30° 4" NH female swivel long handle x 4" Storz with lock	\$314.00
H30E-40-45NHLH	Elbow 30° 4.5" NH female swivel long handle x 4" Storz with lock	\$309.00
H30E-40-50NHLH	Elbow 30° 5" NH female swivel long handle x 4" Storz with lock	\$367.00
H30E-40-60NHLH	Elbow 30° 6" NH female swivel long handle x 4" Storz with lock	\$445.00
H30E-50-25NHLH	Elbow 30° 2.5" NH female swivel long handle x 5" Storz with lock	\$290.00
H30E-50-30NHLH	Elbow 30° 3" NH female swivel long handle x 5" Storz with lock	\$320.00
H30E-50-35NHLH	Elbow 30° 3.5" NH female swivel long handle x 5" Storz with lock	\$408.00
H30E-50-40NHLH	Elbow 30° 4" NH female swivel long handle x 5" Storz with lock	\$353.00
H30E-50-45NHLH	Elbow 30° 4.5" NH female swivel long handle x 5" Storz with lock	\$345.00
H30E-50-50NHLH	Elbow 30° 5" NH female swivel long handle x 5" Storz with lock	\$351.00
H30E-50-60NHLH	Elbow 30° 6" NH female swivel long handle x 5" Storz with lock	\$392.00
H30E-50-25NHLH/FTS	Elbow 30° 2.5" NH female swivel long handle x 5" Storz with lock full time swivel	\$562.00
H30E-50-30NHLH/FTS	Elbow 30° 3" NH female swivel long handle x 5" Storz with lock full time swivel	\$592.00
H30E-50-35NHLH/FTS	Elbow 30° 3.5" NH female swivel long handle x 5" Storz with lock full time swivel	\$621.00
H30E-50-40NHLH/FTS	Elbow 30° 4" NH female swivel long handle x 5" Storz with lock full time swivel	\$625.00
H30E-50-45NHLH/FTS	Elbow 30° 4.5" NH female swivel long handle x 5" Storz with lock full time swivel	\$617.00
H30E-50-50NHLH/FTS	Elbow 30° 5" NH female swivel long handle x 5" Storz with lock full time swivel	\$623.00
H30E-50-60NHLH/FTS	Elbow 30° 6" NH female swivel long handle x 5" Storz with lock full time swivel	\$664.00
H30E-60-40NHLH	Elbow 30° 4" NH female swivel long handle x 6" Storz with lock	\$519.00
H30E-60-45NHLH	Elbow 30° 4.5" NH female swivel long handle x 6" Storz with lock	\$522.00
H30E-60-50NHLH	Elbow 30° 5" NH female swivel long handle x 6" Storz with lock	\$528.00
H30E-60-60NHLH	Elbow 30° 6" NH female swivel long handle x 6" Storz with lock	\$518.00

H30E - Storz x Storz Swivel

Elbow 30° - Storz x Storz	H30E-Storz To Storz	List
H30E-40-40ST	Elbow 30° 4" Storz swivel with lock x 4" Storz rigid with lock	\$460.00
H30E-50-50ST	Elbow 30° 5" Storz swivel with lock x 5" Storz rigid with lock	\$489.00



Storz Hydrant Adapters

HPHA - Storz Permanent Hydrant Adapters with Cap

Hydrant Storz adapters, with metal face, permanently changes main hydrant outlet from threads to Storz. Includes hard anodized adapter, metal face and cap with stainless aircraft cable and stainless steel set screw to prevent unscrewing from the hydrant. Specify the hydrant thread size and Storz size.



Hydrant Storz Program	HPHA & HIHS	List
HPHA40-40NH/Cap	Metal Face Storz Adapter 4" Storz x 4" NH Female with Storz Cap/cable Dark Anodized	\$225.00
HPHA40-40sp/Cap	Metal Face Storz Adapter 4" Storz x 4" special thread Female with Storz Cap/cable Dark Anodized	\$235.00
HPHA40-45NH/Cap	Metal Face Storz Adapter 4" Storz x 4.5" NH Female with Storz Cap/cable Dark Anodized	\$225.00
HPHA40-45sp/Cap	Metal Face Storz Adapter 4" Storz x 4.5" special thread Female with Storz Cap/cable Dark Anodized	\$244.00
HPHA40-50NH/Cap	Metal Face Storz Adapter 4" Storz x 5" NH Female with Storz Cap/cable Dark Anodized	\$288.00
HPHA50-40NH/Cap	Metal Face Storz Adapter 5" Storz x 4" NH Female with Storz Cap/cable Dark Anodized	\$244.00
HPHA50-40sp/Cap	Metal Face Storz Adapter 5" Storz x 4" special thread Female with Storz Cap/cable Dark Anodized	\$254.00
HPHA50-45NH/Cap	Metal Face Storz Adapter 5" Storz x 4.5" NH Female with Storz Cap/cable Dark Anodized	\$244.00
HPHA50-45sp/Cap	Metal Face Storz Adapter 5" Storz x 4.5" special thread Female with Storz Cap/cable Dark Anodized	\$263.00
HPHA50-50NH/Cap	Metal Face Storz Adapter 5" Storz x 5" NH Female with Storz Cap/cable Dark Anodized	\$287.00
HPHA50-50sp/Cap	Metal Face Storz Adapter 5" Storz x 5" special thread Female with Storz Cap/cable Dark Anodized	\$306.00
To Add Lock to HPHA	Add on Price for lock on the 5" metal face Storz adapter	\$39.00
HIHS Storz Nozzles	Metal Face Storz Nozzle for Integral conversion - Hydrant specific	\$526.00



Storz Straight Adapters

Harrington Inc., "Forged" Storz heads provide maximum strength. Tested to a rated pressure of 240 PSI. No hidden imperfections like those found in cast couplings. Hard coat anodizing to Military Specification, Type 3. All female swivels utilize stainless steel ball bearing or aluminum roller bearings, no plastic. Available 2" to 6". All Storz couplings 4" and larger includes **All Metal NFPA compliant lock**.



HSFS - Storz x Female Swivel Rocker Lug

Storz x Female Swivel RL Adapters	HSFS-RL	List
HSFS15-15NH	Storz adapter 1.5" (38) x 1.5" NH female swivel rocker lug	\$81.00
HSFS20-15NH	Storz adapter 2" (52) x 1.5" NH female swivel rocker lug	\$81.00
HSFS25-25NH	Storz adapter 2.5" (65) x 2.5" NH female swivel rocker lug	\$95.00
HSFS25-30NH	Storz adapter 2.5" (65) x 3" NH female swivel rocker lug	\$158.00
HSFS30-25NH	Storz adapter 3" (75) x 2.5" NH female swivel rocker lug anodized	\$95.00
HSFS30-30NH	Storz adapter 3" (75) x 3" NH female swivel rocker lug anodized	\$110.00
HSFS40-25NH	Storz adapter 4" (100) with lock x 2.5" NH female swivel rocker lug anodized	\$156.00
HSFS40-30NH	Storz adapter 4" (100) with lock x 3" NH female swivel rocker lug anodized	\$203.00
HSFS40-35NH	Storz adapter 4" (100) with lock x 3.5" NH female swivel rocker lug anodized	\$205.00
HSFS40-40NH	Storz adapter 4" (100) with lock x 4" NH female swivel rocker lug anodized	\$237.00
HSFS40-45NH	Storz adapter 4" (100) with lock x 4.5" NH female swivel rocker lug anodized	\$243.00
HSFS40-50NH	Storz adapter 4" (100) with lock x 5" NH female swivel rocker lug anodized	\$238.00
HSFS40-60NH	Storz adapter 4" (100) with lock x 6" NH female swivel rocker lug anodized	\$345.00
HSFS50-25NH	Storz adapter 5" (125) with lock x 2.5" NH female swivel rocker lug anodized	\$199.00
HSFS50-30NH	Storz adapter 5" (125) with lock x 3" NH female swivel rocker lug anodized	\$240.00
HSFS50-35NH	Storz adapter 5" (125) with lock x 3.5" NH female swivel rocker lug anodized	\$244.00
HSFS50-40NH	Storz adapter 5" (125) with lock x 4" NH female swivel rocker lug anodized	\$257.00
HSFS50-45NH	Storz adapter 5" (125) with lock x 4.5" NH female swivel rocker lug anodized	\$261.00
HSFS50-50NH	Storz adapter 5" (125) with lock x 5" NH female swivel rocker lug anodized	\$271.00
HSFS50-60NH	Storz adapter 5" (125) with lock x 6" NH female swivel rocker lug anodized	\$363.00
HSFS60-40NH	Storz adapter 6" (150) with lock x 4" NH female swivel rocker lug anodized	\$425.00
HSFS60-45NH	Storz adapter 6" (150) with lock x 4.5" NH female swivel rocker lug anodized	\$403.00
HSFS60-50NH	Storz adapter 6" (150) with lock x 5" NH female swivel rocker lug anodized	\$384.00
HSFS60-60NH	Storz adapter 6" (150) with lock x 6" NH female swivel rocker lug anodized	\$468.00



HSFS - Storz x Female Swivel Long Handle

Storz x Female Swivel LH Adapters	HSFS-LH	List
HSFS25-25NHLH	Storz adapter 2.5" (65) x 2.5" NH female swivel long handle	\$111.00
HSFS25-30NHLH	Storz adapter 2.5" (65) x 3" NH female swivel long handle	\$120.00
HSFS30-25NHLH	Storz adapter 3" (75) x 2.5" NH female swivel long handle anodized	\$105.00
HSFS30-30NHLH	Storz adapter 3" (75) x 3" NH female swivel long handle anodized	\$120.00
HSFS40-25NHLH	Storz adapter 4" (100) with lock x 2.5" NH female swivel long handle anodized	\$175.00



HSFS40-30NHLH	Storz adapter 4" (100) with lock x 3" NH female swivel long handle anodized	\$204.00
HSFS40-35NHLH	Storz adapter 4" (100) with lock x 3.5" NH female swivel long handle anodized	\$210.00
HSFS40-40NHLH	Storz adapter 4" (100) with lock x 4" NH female swivel long handle anodized	\$248.00
HSFS40-45NHLH	Storz adapter 4" (100) with lock x 4.5" NH female swivel long handle anodized	\$245.00
HSFS40-50NHLH	Storz adapter 4" (100) with lock x 5" NH female swivel long handle anodized	\$234.00
HSFS40-60NHLH	Storz adapter 4" (100) with lock x 6" NH female swivel long handle anodized	\$319.00
HSFS50-25NHLH	Storz adapter 5" (125) with lock x 2.5" NH female swivel long handle anodized	\$213.00
HSFS50-30NHLH	Storz adapter 5" (125) with lock x 3" NH female swivel long handle anodized	\$239.00
HSFS50-35NHLH	Storz adapter 5" (125) with lock x 3.5" NH female swivel long handle anodized	\$252.00
HSFS50-40NHLH	Storz adapter 5" (125) with lock x 4" NH female swivel long handle	\$268.00
HSFS50-45NHLH	Storz adapter 5" (125) with lock x 4.5" NH female swivel long handle anodized	\$263.00
HSFS50-50NHLH	Storz adapter 5" (125) with lock x 5" NH female swivel long handle anodized	\$267.00
HSFS50-60NHLH	Storz adapter 5" (125) with lock x 6" NH female swivel long handle anodized	\$338.00
HSFS60-40NHLH	Storz adapter 6" (150) with lock x 4" NH female swivel long handle anodized	\$437.00
HSFS60-45NHLH	Storz adapter 6" (150) with lock x 4.5" NH female swivel long handle anodized	\$405.00
HSFS60-50NHLH	Storz adapter 6" (150) with lock x 5" NH female swivel long handle anodized	\$380.00
HSFS60-60NHLH	Storz adapter 6" (150) with lock x 6" NH female swivel long handle anodized	\$420.00

HSFR - Storz x Female Rigid

Storz x Female Rigid Adapters	HSFR	List
HSFR10-10NPT	Storz adapter 1" (25) x 1" NPT female rigid	\$33.00
HSFR15-15NH1	Storz adapter 1.5" (38) x 1.5" NH female rigid	\$63.00
HSFR15-15NPSH	Storz adapter 1.5" (38) x 1.5" NPSH female rigid	\$63.00
HSFR15-15NPT	Storz adapter 1.5" (38) x 1.5" NPT female rigid	\$66.00
HSFR20-15NH1	Storz adapter 2" (52) x 1.5" NH female rigid anodized	\$57.00
HSFR20-20NPT	Storz adapter 2" (52) x 2" NPT female rigid	\$64.00
HSFR25-25NH1	Storz adapter 2.5" (65) x 2.5" NH female rigid anodized	\$68.00
HSFR25-25NPT	Storz adapter 2.5" (65) x 2.5" NPT female rigid anodized	\$73.00
HSFR25-25-023 (QST)	Storz adapter 2.5" (65) x 2.5" special thread female rigid anodized	\$68.00
HSFR30-25NH	Storz adapter 3" (75) x 2.5" NH female rigid anodized	\$68.00
HSFR30-25NPT	Storz adapter 3" (75) x 2.5" NPT female rigid anodized	\$73.00
HSFR30-30NH	Storz adapter 3" (75) x 3" NH female rigid anodized	\$68.00
HSFR30-30NPT	Storz adapter 3" (75) x 3" NPT female rigid anodized	\$105.00
HSFR40-25NH	Storz adapter 4" (100) with lock x 2.5" NH female rigid anodized	\$134.00
HSFR40-25NPT	Storz adapter 4" (100) with lock x 2.5" NPT female rigid anodized	\$134.00
HSFR40-30NH	Storz adapter 4" (100) with lock x 3" NH female rigid anodized	\$145.00
HSFR40-30NPT	Storz adapter 4" (100) with lock x 3" NPT female rigid anodized	\$145.00
HSFR40-35NH	Storz adapter 4" (100) with lock x 3.5" NH female rigid anodized	\$146.00
HSFR40-40NH	Storz adapter 4" (100) with lock x 4" NH female rigid anodized	\$162.00





HSFR40-40NPT	Storz adapter 4" (100) with lock x 4" NPT female rigid anodized	\$90.00
HSFR40-40NPT/ Cap	Storz adapter 4" (100) with lock x 4" NPT female rigid anodized with 4" Storz Cap/cable	\$165.00
HSFR40-45NH	Storz adapter 4" (100) with lock x 4.5" NH female rigid anodized	\$176.00
HSFR40-50NH	Storz adapter 4" (100) with lock x 5" NH female rigid anodized	\$209.00
HSFR40-50NPT	Storz adapter 4" (100) with lock x 5" NPT female rigid anodized	\$209.00
HSFR40-60NH	Storz adapter 4" (100) with lock x 6" NH female rigid rocker lug	\$237.00
HSFR40-60NPT	Storz adapter 4" (100) with lock x 6" NPT female rigid rocker lug	\$235.00
HSFR40-60NPT/ Cap	Storz adapter 4" (100) with lock x 6" NPT female rigid anodized with 4" Storz Cap/cable	\$310.00
HSFR50-25NH	Storz adapter 5" (125) with lock x 2.5" NH female rigid anodized	\$167.00
HSFR50-25NPT	Storz adapter 5" (125) with lock x 2.5" NPT female rigid anodized	\$167.00
HSFR50-30NH	Storz adapter 5" (125) with lock x 3" NH female rigid anodized	\$171.00
HSFR50-30NPT	Storz adapter 5" (125) with lock x 3" NPT female rigid anodized	\$171.00
HSFR50-35NH	Storz adapter 5" (125) with lock x 3.5" NH female rigid anodized	\$178.00
HSFR50-40NH	Storz adapter 5" (125) with lock x 4" NH female rigid anodized	\$192.00
HSFR50-40NPT	Storz adapter 5" (125) with lock x 4" NPT female rigid anodized	\$192.00
HSFR50-40NPT/ Cap	Storz adapter 5" (125) with lock x 4" NPT female rigid anodized with 5" Storz Cap/cable	\$296.00
HSFR50-45NH	Storz adapter 5" (125) with lock x 4.5" NH female rigid anodized	\$202.00
HSFR50-50NH	Storz adapter 5" (125) with lock x 5" NH female rigid anodized	\$222.00
HSFR50-50NPT	Storz adapter 5" (125) with lock x 5" NPT female rigid anodized	\$220.00
HSFR50-50NPT/ Cap	Storz adapter 5" (125) with lock x 5" NPT female rigid anodized with 5" Storz Cap/cable	\$324.00
HSFR50-60NH	Storz adapter 5" (125) with lock x 6" NH female rigid anodized	\$302.00
HSFR50-60NPT	Storz adapter 5" (125) with lock x 6" NPT female rigid anodized	\$236.00
HSFR50-60NPT/ Cap	Storz adapter 5" (125) with lock x 6" NPT female rigid anodized with 5" Storz Cap/cable	\$340.00
HSFR50-25NH/ FTS	Storz adapter 5" (125) with lock full time swivel x 2.5" NH female rigid anodized	\$439.00
HSFR50-30NH/ FTS	Storz adapter 5" (125) with lock full time swivel x 3" NH female rigid anodized	\$443.00
HSFR50-35NH/ FTS	Storz adapter 5" (125) with lock full time swivel x 3.5" NH female rigid anodized	\$450.00
HSFR50-40NH/ FTS	Storz adapter 5" (125) with lock full time swivel x 4" NH female rigid anodized	\$464.00
HSFR50-45NH/ FTS	Storz adapter 5" (125) with lock full time swivel x 4.5" NH female rigid anodized	\$474.00
HSFR50-50NH/ FTS	Storz adapter 5" (125) with lock full time swivel x 5" NH female rigid anodized	\$494.00
HSFR50-60NH/ FTS	Storz adapter 5" (125) with lock full time swivel x 6" NH female rigid anodized	\$574.00
HSFR60-40NH	Storz adapter 6" (150) with lock x 4" NH female rigid anodized	\$376.00
HSFR60-40NPT	Storz adapter 6" (150) with lock x 4" NPT female rigid anodized	\$350.00
HSFR60-45NH	Storz adapter 6" (150) with lock x 4.5" NH female rigid anodized	\$392.00
HSFR60-50NH	Storz adapter 6" (150) with lock x 5" NH female rigid anodized	\$386.00
HSFR60-50NPT	Storz adapter 6" (150) with lock x 5" NPT female rigid anodized	\$386.00

HSFR60-60NH	Storz adapter 6" (150) with lock x 6" NH female rigid anodized	\$350.00
HSFR60-60NPT	Storz adapter 6" (150) with lock x 6" NPT female rigid anodized	\$337.00
HSFR60-60NPT/ Cap	Storz adapter 6" (150) with lock x 6" NPT female rigid anodized with 6" Storz Cap/cable	\$525.00

HSMR - Storz x Male Rigid

Storz x Male Adapters	HSMR	List
HSMR15-15NH	Storz adapter 1.5" (38) x 1.5" NH male rigid anodized	\$51.00
HSMR15-15NPSH	Storz adapter 1.5" (38) x 1.5" NPSH male rigid anodized	\$51.00
HSMR15-15NPT	Storz adapter 1.5" (38) x 1.5" NPT male rigid anodized	\$51.00
HSMR15-25NH	Storz adapter 1.5" (38) x 2.5" NH male rigid anodized	\$70.00
HSMR20-15NH	Storz adapter 2" (52) x 1.5" NH male clear anodized	\$56.00
HSMR20-15NPT	Storz adapter 2" (52) x 1.5" NPT male clear anodized	\$57.00
HSMR20-25NH	Storz adapter 2" (52) x 2.5" NH male	\$66.00
HSMR25-15NH	Storz adapter 2.5" (65) x 1.5" NH male anodized	\$89.00
HSMR25-25NH	Storz adapter 2.5" (65) x 2.5" NH male anodized	\$70.00
HSMR25-25NPT	Storz adapter 2.5" (65) x 2.5" NPT male anodized	\$70.00
HSMR25-25-023 (QST)	Storz adapter 2.5" (65) x 2.5" special thread male anodized	\$70.00
HSMR30-25NH	Storz adapter 3" (75) x 2.5" NH male rigid anodized	\$65.00
HSMR30-25NPT	Storz adapter 3" (75) x 2.5" NPT male rigid anodized	\$65.00
HSMR30-30NH	Storz adapter 3" (75) x 3" NH male rigid anodized	\$108.00
HSMR30-30NPT	Storz adapter 3" (75) x 3" NPT male rigid anodized	\$108.00
HSMR40-25NH	Storz adapter 4" (100) with lock x 2.5" NH male rigid anodized	\$142.00
HSMR40-25NPT	Storz adapter 4" (100) with lock x 2.5" NPT male rigid anodized	\$142.00
HSMR40-30NH	Storz adapter 4" (100) with lock x 3" NH male rigid anodized	\$153.00
HSMR40-30NPT	Storz adapter 4" (100) with lock x 3" NPT male rigid anodized	\$153.00
HSMR40-35NH	Storz adapter 4" (100) with lock x 3.5" NH male rigid anodized	\$139.00
HSMR40-40NH	Storz adapter 4" (100) with lock x 4" NH male rigid anodized	\$159.00
HSMR40-40NPT	Storz adapter 4" (100) with lock x 4" NPT male rigid anodized	\$159.00
HSMR40-40NPT/ Cap	Storz adapter 4" (100) with lock x 4" NPT male rigid anodized with lock with 4" Storz Cap/ cable	\$234.00
HSMR40-45NH	Storz adapter 4" (100) with lock x 4.5" NH male rigid anodized	\$206.00
HSMR40-50NH	Storz adapter 4" (100) with lock x 5" NH male rigid anodized	\$225.00
HSMR40-50NPT	Storz adapter 4" (100) with lock x 5" NPT male rigid anodized	\$182.00
HSMR40-60NH	Storz adapter 4" (100) with lock x 6" NH male rigid anodized	\$186.00
HSMR40-60NPT	Storz adapter 4" (100) with lock x 6" NPT male rigid anodized	\$211.00
HSMR40-60NPT/ Cap	Storz adapter 4" (100) with lock x 6" NPT male rigid anodized with lock with 4" Storz Cap/ cable	\$286.00
HSMR50-25NH	Storz adapter 5" (125) with lock x 2.5" NH male rigid anodized	\$175.00
HSMR50-25NPT	Storz adapter 5" (125) with lock x 2.5" NPT male rigid anodized	\$175.00
HSMR50-30NH	Storz adapter 5" (125) with lock x 3" NH male rigid anodized	\$172.00

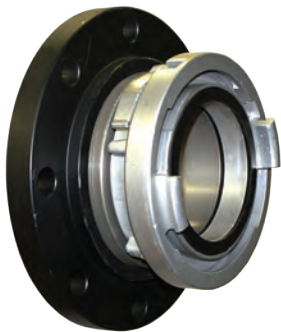




HSMR50-30NPT	Storz adapter 5" (125) with lock x 3" NPT male rigid anodized	\$172.00
HSMR50-35NH	Storz adapter 5" (125) with lock x 3.5" NH male rigid anodized	\$180.00
HSMR50-40NH	Storz adapter 5" (125) with lock x 4" NH male rigid anodized	\$195.00
HSMR50-40NPT	Storz adapter 5" (125) with lock x 4" NPT male rigid anodized	\$195.00
HSMR50-40NPT/ Cap	Storz adapter 5" (125) with lock x 4" NPT male rigid anodized with lock with 5" Storz Cap/ cable	\$299.00
HSMR50-45NH	Storz adapter 5" (125) with lock x 4.5" NH male rigid anodized	\$218.00
HSMR50-50NH	Storz adapter 5" (125) with lock x 5" NH male rigid anodized	\$213.00
HSMR50-50NPT	Storz adapter 5" (125) with lock x 5" NPT male rigid anodized	\$213.00
HSMR50-50NPT/ Cap	Storz adapter 5" (125) with lock x 5" NPT male rigid anodized with lock with 5" Storz Cap/ cable	\$317.00
HSMR50-60NH	Storz adapter 5" (125) with lock x 6" NH male rigid anodized	\$243.00
HSMR50-60NPT	Storz adapter 5" (125) with lock x 6" NPT male rigid anodized	\$259.00
HSMR50-60NPT/ Cap	Storz adapter 5" (125) with lock x 6" NPT male rigid anodized with lock with 5" Storz Cap/ cable	\$363.00
HSMR60-40NH	Storz adapter 6" (150) with lock x 4" NH male rigid anodized	\$330.00
HSMR60-40NPT	Storz adapter 6" (150) with lock x 4" NPT male rigid anodized	\$330.00
HSMR60-45NH	Storz adapter 6" (150) with lock x 4.5" NH male rigid anodized	\$329.00
HSMR60-50NH	Storz adapter 6" (150) with lock x 5" NH male rigid anodized	\$353.00
HSMR60-50NPT	Storz adapter 6" (150) with lock x 5" NPT male rigid anodized	\$353.00
HSMR60-60NH	Storz adapter 6" (150) with lock x 6" NH male rigid anodized	\$362.00
HSMR60-60NPT	Storz adapter 6" (150) with lock x 6" NPT male rigid anodized	\$362.00
HSMR60-60NPT/ Cap	Storz adapter 6" (15) with lock x 6" NPT male rigid adodized	\$550.00

HFL-Flange x Storz Adapters

150# Flange x Storz Adapters	HFL	List
HFL-FF-30-25ST	3" flat face 150# flange x Storz adapter 2.5" (65)	call
HFL-FF-40-40ST (WLD)	4" flat face 150# (weldneck) flange x Storz adapter 4" (100) with lock	call
HFL-FF-40-40ST/ Cap (WLD)	4" flat face 150# (weldneck) flange x Storz adapter 4" (100) with lock with 4" Storz Cap/ cable	call
HFL-FF-40-40ST (THD)	4" flat face 150# (threaded) flange x Storz adapter 4" (100) with lock	call
HFL-FF-40-40ST/ Cap (THD)	4" flat face 150# (threaded) flange x Storz adapter 4" (100) with lock with 4" Storz Cap/cable	call
HFL-FF-404030E	4" flat face 150# flange x Elbow 30° Storz adapter 4" (100) with lock	call
HFL-FF-404030E/ Cap	4" flat face 150# flange x Elbow 30° Storz adapter 4" (100) with lock with 4" Storz Cap/ cable	call
HFL-RF-40-40ST	4" raised face 150# flange x Storz adapter 4" (100) with lock	call
HFL-RF-40-40ST/ Cap	4" raised face 150# flange x Storz adapter 4" (100) with lock with 4" Storz Cap/cable	call
HFL-RF-404030E	4" raised face 150# flange x Elbow 30° Storz adapter 4" (100) with lock	call
HFL-RF-404030E/ Cap	4" raised face 150# flange x Elbow 30° Storz adapter 4" (100) with lock with 4" Storz Cap/ cable	call
HFL-FF-40-50ST	4" flat face 150# flange x Storz adapter 5" (125) with lock	call



HFL-FF-40-50ST/ Cap	4" flat face 150# flange x Storz adapter 5" (125) with lock with 5" Storz Cap/cable	call
HFL-FF-405030E	4" flat face 150# flange x Elbow 30° Storz adapter 5" (125) with lock	call
HFL-FF-405030E/ Cap	4" flat face 150# flange x Elbow 30° Storz adapter 5" (125) with lock with 5" Storz Cap/ cable	call
HFL-RF-40-50ST	4" raised face 150# flange x Storz adapter 5" (125) with lock	call
HFL-RF-40-50ST/ Cap	4" raised face 150# flange x Storz adapter 5" (125) with lock with 5" Storz Cap/cable	call
HFL-RF-405030E	4" raised face 150# flange x Elbow 30° Storz adapter 5" (125) with lock	call
HFL-RF-405030E/ Cap	4" raised face 150# flange x Elbow 30° Storz adapter 5" (125) with lock with 5" Storz Cap/ cable	call
HFL-FF-50-50ST/ Cap	5" flat face 150# flange x Storz adapter 5" (125) with lock with 5" Storz Cap/cable	call
HFL-FF-60-50ST	6" flat face 150# flange x Storz adapter 5" (125) with lock	call
HFL-FF-60-50ST/ Cap	6" flat face 150# flange x Storz adapter 5" (125) with lock with 5" Storz Cap/cable	call
HFL-FF-605030E	6" flat face 150# flange x Elbow 30° Storz adapter 5" (125) with lock	call
HFL-FF-605030E/ Cap	6" flat face 150# flange x Elbow 30° Storz adapter 5" (125) with lock with 5" Storz Cap/ cable	call
HFL-RF-60-50ST	6" raised face 150# flange x Storz adapter 5" (125) with lock	call
HFL-RF-60-50ST/ Cap	6" raised face 150# flange x Storz adapter 5" (125) with lock with 5" Storz Cap/cable	call
HFL-RF-605030E	6" raised face 150# flange x Elbow 30° Storz adapter 5" (125) with lock	call
HFL-RF-605030E/ Cap	6" raised face 150# flange x Elbow 30° Storz adapter 5" (125) with lock with 5" Storz Cap/ cable	call
HFL-FF-60-60ST	6" flat face 150# flange x Storz adapter 6" (150) with lock	call
HFL-FF-60-60ST/ Cap	6" flat face 150# flange x Storz adapter 6" (150) with lock with 6" Storz Cap/cable	call
HFL-FF-606030E	6" flat face 150# flange x Elbow 30° Storz adapter 6" (150) with lock	call
HFL-FF-606030E/ Cap	6" flat face 150# flange x Elbow 30° Storz adapter 6" (150) with lock with 6" Storz Cap/ cable	call
HFL-RF-60-60ST	6" raised face 150# flange x Storz adapter 6" (150) with lock	call
HFL-RF-60-60ST/ Cap	6" raised face 150# flange x Storz adapter 6" (150) with lock with 6" Storz Cap/cable	call
HFL-RF-606030E	6" raised face 150# flange x Elbow 30° Storz adapter 6" (150) with lock	call
HFL-RF-606030E/ Cap	6" raised face 150# flange x Elbow 30° Storz adapter 6" (150) with lock with 6" Storz Cap/ cable	call



HSTS - Storz x Storz

Storz-To-Storz Adapters	HSTS	List
HSTS20-15R	Storz x Storz adapter 2" (52) x 1.5" (38) rigid	\$82.00
HSTS25-15R	Storz x Storz adapter 2.5" (65) x 1.5" (38) rigid	\$94.00
HSTS25-15S	Storz x Storz adapter 2.5" (65) x 1.5" (38) pressure/suction swivel	\$120.00
HSTS25-20R	Storz x Storz adapter 2.5" (65) x 2" (52) rigid	\$94.00
HSTS30-20R	Storz x Storz adapter 3" (75) x 2" (52) rigid	\$90.00
HSTS30-20S	Storz x Storz adapter 3" (75) x 2" (52) swivel DIN 14342	\$50.00



HSTS50-40R



HSTS50-40S (without Storz-Lok)

HSTS30-25R	Storz x Storz adapter 3" (75) x 2.5" (65) rigid	\$83.00
HSTS40-25R	Storz x Storz adapter 4" (100) x 2.5" (65) rigid	\$169.00
HSTS40-30R	Storz x Storz adapter 4" (100) x 3" (75) rigid	\$165.00
HSTS40-30S	Storz x Storz adapter 4" (100) x 3" (75) swivel	\$135.00
HSTS50-25R	Storz x Storz adapter 5" (125) x 2.5" (65) rigid	\$195.00
HSTS50-30R	Storz x Storz adapter 5" (125) x 3" (75) rigid	\$195.00
HSTS50-40R	Storz x Storz adapter 5" (125) x 4" (100) rigid	\$252.00
HSTS50-40S	Storz x Storz adapter 5" (125) x 4" (100) swivel	\$487.00
HSTS50-40/FTS	Storz x Storz adapter 5" (125) FTS x 4" (100)	\$530.00
HSTS60-40R	Storz x Storz adapter 6" (150) x 4" (100) rigid	\$373.00
HSTS60-50R	Storz x Storz adapter 6" (150) x 5" (125) rigid	\$416.00
HSTS60-60R	Storz x Storz adapter 6" (150) x 6" (150) rigid	call
HSTS80-60R	Storz x Storz adapter 8" (205) x 6" (150) rigid	call



HSTS50-40/FTS

HFTS - Storz Full-Time Swivel

Full-Time Swivel x BSP female	HFTS	List
HFTS50-40BSP/FTS	Storz adapter 5" (125) with lock full time swivel x 4" BSP female hard anodized	\$440.00
HFTS50-50BSP/SL	Storz adapter 5" (125) with lock full time swivel x 5" BSP female hard anodized	\$383.00

HSFR - Storz x Female BSP with Lock



Storz x BSP female adapters	HSFR-BSP	List
HSFR10-10BSP	Storz adapter 1" (25) x 1" BSP female Unanodized	\$17.00
HSFR15-15BSP1	Storz adapter 1.5" (38) x 1.5" BSP female Unanodized	\$24.00
HSFR20-15BSP1	Storz adapter 2" (52) x 1.5" BSP female Unanodized	\$25.00
HSFR20-20BSP1	Storz adapter 2" (52) x 2" BSP female Unanodized	\$19.00
HSFR25-20BSP1	Storz adapter 2.5" (65) x 2" BSP female Unanodized	\$31.00
HSFR25-25BSP1	Storz adapter 2.5" (65) x 2.5" BSP female Unanodized	\$31.00
HSFR30-20BSP1	Storz adapter 3" (75) x 2" BSP female Unanodized	\$44.00
HSFR30-25BSP1	Storz adapter 3" (75) x 2.5" BSP female Unanodized	\$27.00
HSFR30-30BSP1	Storz adapter 3" (75) x 3" BSP female Unanodized	\$30.00
HSFR40-40BSP4N	Storz adapter 4" (100) with lock x 4" BSP female Anodized	\$80.00
HSFR40-50BSP/SL	Storz adapter 4" (100) with lock x 5" BSP female Anodized	\$159.00
HSFR40-60BSP	Storz adapter 4" (100) with lock x 6" BSP female Anodized	\$225.00
HSFR45-40BSP1	Storz adapter 4.5" (110) with lock x 4" BSP female unanodized	\$108.00
HSFR50-40BSP4	Storz adapter 5" (125) with lock x 4" BSP female Anodized (Harrington)	\$164.00
HSFR50-50BSP5	Storz adapter 5" (125) with lock x 5" BSP female Anodized (Harrington)	\$108.00
HSFR50-60BSP6	Storz adapter 5" (125) with lock x 6" BSP female Anodized (Harrington)	\$244.00
HSFR60-40BSP4	Storz adapter 6" (150) with lock x 4" BSP female (3) lugs Anodized	\$290.00
HSFR60-50BSP5	Storz adapter 6" (150) with lock x 5" BSP female (3) lugs Anodized	\$299.00

HSFR60-60BSP6	Storz adapter 6" (150) with lock x 6" BSP female (3) lugs Anodized	\$193.00
HSFR80-80BSP8-US	Storz adapter 8" (205) with lock x 8" BSP female (3) lugs Anodized	call
HSFR100-100BSP-US	Storz adapter 10" (250) with lock x 10" BSP female (3) lugs Anodized	call
HSFR120-120BSP-US	Storz adapter 12" (305) with lock x 12" BSP female (3) lugs Anodized	call
* For Anodized Adapters:,Add on for anodizing 1"-3" Storz Adapters,\$8.00		



Storz Accessories

HSAS - Storz Adapter Screens

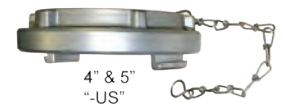
Storz Adapter Screens	HSAS	List
HSAS-40	Stainless steel screen for 4" Storz	\$24.00
HSAS-50	Stainless steel screen for 5" Storz	\$39.00
HSAS-60	Stainless steel screen for 6" Storz	\$46.00



HBC - Storz Blind Caps

hard coat anodizing to Military Specification, Type 3.

Storz Blind Caps	HBC	List
HBC-10	Storz blind cap 1" (25) with chain Unanodized	\$16.00
HBC-15	Storz blind cap 1.5" (38) with chain Unanodized	\$24.00
HBC-20	Storz blind cap 2" (52) with chain Unanodized	\$20.00
HBC-25	Storz blind cap 2.5" (65) with chain Unanodized	\$27.00
HBC-30	Storz blind cap 3" (75) with chain Unanodized	\$24.00
HBC-40	Storz blind cap 4" (100) with chain Anodized (AWG)	\$75.00
HBC-40-US	Storz blind cap 4" (100) with cable clear anodized (short) (USA)	\$87.00
HBC-40D-US	Storz blind cap 4" (100) with cable dark anodized (short) (USA)	\$92.00
HBC-45	Storz blind cap 4.5" (110) with chain Unanodized	\$57.00
HBC-50	Storz blind cap 5" (125) with chain Anodized (AWG)	\$104.00
HBC-50-US	Storz blind cap 5" (125) with cable clear anodized (short) (USA)	\$115.00
HBC-50D-US	Storz blind cap 5" (125) with cable dark anodized (short) (USA)	\$120.00
HBC-60	Storz blind cap 6" (150) (3) lugs with chain Anodized	\$188.00
HBC-40-PC	Storz Blind cap 4" (100) with bleeder petcock	\$128.00
HBC-50-PC	Storz Blind cap 5" (125) with bleeder petcock	\$150.00
HBC-60-PC	Storz Blind cap 6" (150) with bleeder petcock	\$250.00
HBC-80-US	Storz blind cap 8" (205) (3) lugs with chain Anodized	call
HBC-100-US	Storz blind cap 10" (250) (3) lugs with chain Anodized	call
HBC-120-US	Storz blind cap 12" (305) (3) lugs with chain Anodized	call
For Anodized Caps:	Add on for anodizing 1"-3" Storz Blind Caps	\$15.00



HSTC - Storz Test Caps and Adapters

Storz Test Caps & Adapters	HSTC	List
HSTC-40	4" Storz test cap & adapter	\$632.00
HSTC-40-1	4" Storz test cap	\$295.00
HSTC-40-2	4" Storz test adapter	\$338.00
HSTC-50	5" Storz test cap & adapter	\$1,299.00
HSTC-50-1	5" Storz test cap	\$645.00
HSTC-50-2	5" Storz test adapter	\$654.00

HTPB - Storz Couplings with Three-Part Binding

Sets include two hose couplings and two 3-part segment bindings. Couplings are "Forged" hard coated for maximum strength and corrosion resistance. Easy to assemble/disassemble onto LDH hose using a simple Allen wrench. Utilizes recessed nut and bolt design to eliminate stripping of segments. **Working pressures up to 240 psi.** Specify the Storz size and suction or pressure application.

Storz Couplings	HTPB	List
HTPB-40SET	Storz hose coupling 4" (100) with lock and 1-Bolt, 3-Segment binding (set of two)	\$295.00
HTPB-50SET	Storz hose coupling 5" (125) with lock and 1-Bolt, 3-Segment binding (set of two)	\$333.00
HTPB-60SET	Storz hose coupling 6" (150) with lock and 1-Bolt, 3-Segment binding (set of two)	\$464.00

HTPB-US - 3 Lug Storz Couplings.

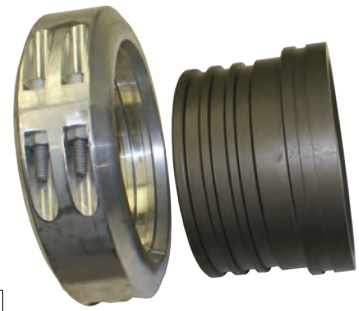
Domestic 3 Lug Storz couplings machined from a single piece for extruded 6061-T6 aluminum from right here in the U.S.A. Come with two 3-part 2 bolt segment bindings Utilizes recessed nut and bolt design to eliminate stripping of segments. Shanks are hard coat anodized to Military specification Type 3. Segment collars are not anodized, but can be anodized for extra cost. **Working pressures up to 240 psi.**

HTPB-80SET-2BX-US	Storz hose coupling 8" (205) with lock and 2 bolt, 3-segment binding (set of two)	call
HTPB-100SET-2BX-US	Storz hose coupling 10" (250) with lock and 2 bolt, 3-segment binding (set of two)	call
HTPB-120SET-2BX-US	Storz hose coupling 12" (305) with lock and 2 bolt, 3-segment binding (set of two)	call
HTPB-PryBars	6061-T6 aluminum , 7/8" diameter, 18" Long assist wrench(set of two)	\$80.00

HVC - Harrington “V-Groove” Shank Couplings

“V-Groove” couplings for quick and secure attachment for 8” and 10” hose. Made #6061-T anodized aluminum, “V-Groove” coupling collars are tapered for anti-snag. “V-Groove” design accepts existing Groove couplings. Segments are secured with 2 sets of nuts and bolts to assure there are no stripped segments. Shanks are hard coat anodized to Military specification Type 3. Segment collars are not anodized, but can be anodized for extra cost. Made in the U.S.A. Optional hose sleeve available for easy coupling alignment.

Working pressure -200psi



“V-Groove” Coupling Sets	HVC	List
HVC-80SET-2BX-US	”V-Groove” hose coupling 8” anodized shank with 2-Bolt, 3 part segment binding (two ends)	call
HVC-100SET-2BX-US	”V-Groove” hose coupling 10” anodized shank with 2-Bolt, 3 part segment binding (two ends)	call
HVC-120SET-2BX-US	”V-Groove” Hose coupling 12” anodized shank with 2-Bolt, 3 part segment binding(two ends)	call
Connecting Sleeve for “V-Groove” Couplings		List
HVC-80CS	8” anodized connecting sleeve for “V-Groove” couplings	call
HVC-100CS	10” anodized connecting sleeve for “V-Groove” couplings	call
HVC-120CS	12” anodized connecting sleeve for “V-Groove” couplings	call

British Instantaneous Fittings

HBI	Full range of British Instantaneous Fittings	call
-----	--	------



HMLC - MultiLug Coupling with three part binding.

Set includes two hose couplings with three part segment bindings. A key feature is it only requires 1/4” to lock lugs in place. Couplings are cast aluminum then fine machined. Easy to assemble/disassemble onto LDH hose using an Allen wrench. Utilizes recessed nut and bolt design to eliminate stripping of the segments. A total of 12 lugs with spring loaded locks assures coupling remain attached.

Working pressures to 240 psi.

Multilug	Couplings, Adapters & Caps	List
HMLC-100SET	MultiLug hose coupling 10" pressure use hard anodized including segment bindings (set of two)	call
HMLC-120SET	MultiLug hose coupling 12" pressure use hard anodized including segment bindings (set of two)	call





HMLA - MultiLug Adapters and Caps

MultiLug Adapters are easy to assemble and include spring loaded locks for 10" and 12" connections. BSP threads allow for attaching to various coupling options and adapters

Adapters: MultiLug x BSP Female

HMLA100-100BSPF	Multilug adapter 10" x 10" BSP female	call
HMLA120-120BSPF	Multilug adapter 12" x 12" BSP female	call
HMLBC-100	Multilug Blind Cap 10"	call
HMLBC-120	Multilug Blind Cap 12"	call

Mounting Brackets

HSMB - Storz Mounting Brackets

Storz mounting brackets for secure mounting of Storz appliances and adapters. Available in sizes 1.5" to 5" with quick quarter turn design.



Storz Mounting Brackets	HSMB	List
HSMB-15-25	Storz mounting bracket 1.5" (38) and 2.5" (65)	\$64.00
HSMB-20-30	Storz mounting bracket 2" (52) and 3" (75) POM gray	\$8.00
HSMB-40	Storz mounting bracket 4" (100)	\$62.00
HSMB-50	Storz mounting bracket 5" (125)	\$64.00
HSMB-60	Storz mounting bracket 6" (150)	\$66.00

HMB - Valve Mounting Brackets

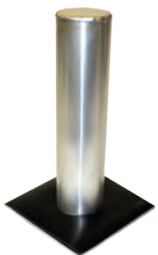
Safely and securely mount your high quality Harrington Inc valve to your apparatus to help prevent damage from shifting in a compartment or being bounced around on the apparatus.



Valve Mounts	HMB	List
HMB-M	5-Way manifold mounting bracket	\$330.00
HMB-3WBV	3-Way ball valve mounting bracket	\$344.00
HMB-HV	Hydrant valve mounting bracket	\$320.00
HMB-JS	Jumbo siamese mounting bracket	\$383.00
HMB-3WS	3-Way siamese mounting bracket	\$344.00

HPM - Post Mount for Manifolds and Hydrant Valves

Mount your high quality Harrington Inc. valve or manifold to your apparatus where it can be access quickly, easily and safely with this post mount.



HPM-M-HV	Post mount for 5-Way manifold and Hydrant valve	\$228.00
----------	---	----------

HTMP - Threaded Mounting Brackets

Harrington Threaded Mounting Brackets give you a way to secure your threaded adapters. Available for male and female NH threaded adapters from sizes of 1" up to 6".

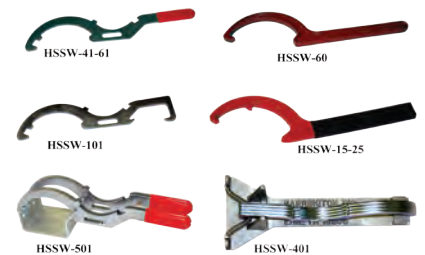
HTMB	Threaded Mounting Bracket	List
male NH threads		
HTMB-10NHM	1" NH	\$32.38
HTMB-15NHM	1.5" NH	\$32.38
HTMB-20NHM	2" NH	\$34.30
HTMB-25NHM	2.5" NH	\$34.30
HTMB-30NHM	3" NH	\$76.23
HTMB-35NHM	3.5" NH	\$87.64
HTMB-40NHM	4" NH	\$99.09
HTMB-45NHM	4.5" NH	\$110.50
HTMB-50NHM	5" NH	\$116.20
HTMB-60NHM	6" NH	\$131.46
Female NH Threads		
HTMB-10NHFS	1" NH	\$45.75
HTMB-15NHFS	1.5" NH	\$45.75
HTMB-20NHFS	2" NH	\$49.56
HTMB-25NHFS	2.5" NH	\$49.56
HTMB-30NHFS	3" NH	\$112.42
HTMB-35NHFS	3.5" NH	\$131.46
HTMB-40NHFS	4" NH	\$146.72
HTMB-45NHFS	4.5" NH	\$154.32
HTMB-50NHFS	5" NH	\$163.84
HTMB-60NHFS	6" NH	\$177.17



HSSW - Spanner Wrenches

Spanner wrenches for easy disconnecting/connecting of Storz couplings. Wrench has a long handle for added leverage, light weight material. Specify the wrench for size of couplings.

Spanner Wrenches	HSSW & HHSW	List
HSSW-501	(4) Single end spanners with holder	\$158.00
HSSW-501-HW	(4) Single end spanners, Hydrant wrench with holder	\$300.00
HSMB-41-61	Single end spanner holder	\$54.00
HSSW-401	(4) Standard spanners with holder	\$144.00
HSMB-100	Standard spanner holder	\$48.00
HSSW-15-25	1.5"-2.5" Single end spanner	\$17.00
HSSW-20-30	2", 2.5", 3" Single end spanner	\$17.00
HSSW-40-60	4"-6" Single end spanner (AWG)	\$33.00
HSSW-60	5"-6" Single end spanner	\$61.00
HSSW-41-61	4"-6" Single end spanner (Harrington)	\$26.00
HSSW-101	2.5"-5" Standard spanner	\$25.00
HHSW-100	4"-5" Universal Hydrant Spanner with pentagon nut operation	\$90.00



HSSW-501-HW

Special Threads available on request, cost as follows: Allow 4-5 weeks for special threads.

- 1" to 3" = \$ 3.50 net each
- 3.5" to 6" = \$ 6.00 net



HHR - Hose Rollers

Field tested hose roller with full 90 degree opening, flattens fire hoses up to 5" in diameter and squeezes out water, ice and air. The heavy duty roller is made of aluminum construction but still light weight, weighing under 5 pounds.

The roller measures 2"x4"x 22" long.

Hose Rollers	HHR	List
HHR-1	One-Man Hose Roller	\$268.00
HHR-2	Two-Man Hose Roller	\$235.00



HHW - Hose Washers

Accommodates hoses up to 5" using incoming inlet pressure of only 60 PSI. Self feeding design.

Hose Washers	HHW	List
HHW-300-25NH	Hose washer for up to 3" hose 2.5" NH female swivel rocker lug inlet	\$714.00
HHW-300-15NH	Hose washer for up to 3" hose 1.5" NH female swivel rocker lug inlet	\$714.00
HHW-500-25NH	Hose washer for up to 5" hose 2.5" NH female swivel rocker lug inlet	\$1,639.00

HWS - Water Shields

Stable water curtain nozzle for unmanned protection of threatened buildings, gaseous hazards, or cooling situations. Specify 1.5" (210 GPM) or 2.5" (370 GPM) at 75 PSI models.

Water Shields	HWS	List
HWS-15NH	Water curtain nozzle 1.5" 210 gpm @ 75 PSI x 1.5" NH female swivel rocker lug	\$312.00
HWS-25NH	Water curtain nozzle 2.5" 370 gpm @ 75 PSI x 2.5" NH female swivel rocker lug	\$315.00



Storz Seals and Thread Gaskets

Gaskets	Storz, NH & BSP gaskets	List
HSSS-10	1" Storz (25) suction seal	\$1.50
HSSS-15	1.5" Storz (38) suction seal	\$3.50
HSSS-20	2" Storz (52) suction seal	\$2.50
HSSS-25	2.5" Storz (65) suction seal	\$6.50
HSSS-30	3" Storz (75) suction seal	\$2.50
HSSS-40	4" Storz (100) suction seal	\$7.00
HSSS-45	4.5" Storz (110) suction seal	\$5.00
HSSS-50	5" Storz (125) suction seal	\$7.00
HSSS-60	6" Storz (150) suction seal	\$14.00



HSPS-20	2" Storz (52) pressure seal	\$2.50
HSPS-25	2.5" Storz (65) pressure seal	\$3.50
HSPS-30	3" Storz (75) pressure seal	\$2.50
HSPS-40	4" Storz (100) pressure seal	\$7.00
HSPS-50	5" Storz (125) pressure seal	\$5.00
HSPS-60	6" Storz (150) pressure seal	\$19.00



HNHG-10	1" NH gasket	\$1.00
HNHG-15	1.5" NH gasket	\$2.00
HNHG-20	2" NH gasket	\$2.00
HNHG-25	2.5" NH gasket	\$1.00
HNHG-30	3" NH gasket	\$1.00
HNHG-35	3.5" NH gasket	\$1.00
HNHG-40	4" NH gasket	\$2.00
HNHG-45	4.5" NH gasket	\$2.00
HNHG-50	5" NH gasket	\$3.00
HNHG-60	6" NH gasket	\$3.00



HBSPG-10	1" BSP gasket	\$1.00
HBSPG-15	1.5" BSP gasket	\$2.00
HBSPG-20	2" BSP gasket	\$2.00
HBSPG-25	2.5" BSP gasket	\$1.00
HBSPG-30	3" BSP gasket	\$2.00
HBSPG-40	4" BSP gasket	\$1.00
HBSPG-45	4.5" BSP gasket	\$5.00
HBSPG-50	5" BSP gasket	\$2.00
HBSPG-60	6" BSP gasket	\$16.00



Special Threads available on request, cost as follows: Allow 4-5 weeks for special threads.

- 1" to 3" = \$ 3.50 net each
- 3.5" to 6" = \$ 6.00 net each

Threaded Adapters

Threaded adapters available from 1.5” to 12”. All adapters provide the necessary safety features for municipal fire fighting. Storz adapters 4” and larger feature a locking mechanism. British instantaneous adapters, NST adapters and other European adapters are available upon request. All threaded adapters are hard coated to military spec. Type 3 and made from aircraft #6061-T light weight aluminium. All female swivels utilize stainless steel ball bearing or aluminum roller bearings, no plastic.

H35 - Female Swivel RL x Female Swivel RL



		NH Female Swivel Rocker Lug											
		1	1.5	1.5 NPSH	2	2.5	2.5 NPSH	3	3.5	4	4.5	5	6
NH Female Swivel Rocker Lug	1	H35-10NH-10NH											
		\$31.00											
	1.5	H35-15NH-10NH	H35-15NH-15NH	H35-15NPSH-15NH/plug			H35-25NPSH-25NH/plug						
		\$55.00	\$39.00	\$65.00			\$97.00						
	2		H35-20NH-15NH		H35-20NH-20NH								
			\$54.00		\$54.00								
	2.5		H35-25NH-15NH		H35-25NH-20NH	H35-25NH-25NH							
			\$61.00		\$60.00	\$52.00							
	3					H35-30NH-25NH		H35-30NH-30NH					
						\$113.00		\$94.00					
	3.5					H35-35NH-25NH		H35-35NH-30NH	H35-35NH-35NH				
						\$153.00		\$167.00	\$153.00				
	4					H35-40NH-25NH		H35-40NH-30NH	H35-40NH-35NH	H35-40NH-40NH			
						\$156.00		\$182.00	\$188.00	\$195.00			
	4.5					H35-45NH-25NH		H35-45NH-30NH	H35-45NH-35NH	H35-45NH-40NH	H35-45NH-45NH		
						\$198.00		\$207.00	\$202.00	\$195.00	\$175.00		
	5					H35-50NH-25NH		H35-50NH-30NH	H35-50NH-35NH	H35-50NH-40NH	H35-50NH-45NH	H35-50NH-50NH	
						\$233.00		\$256.00	\$260.00	\$295.00	\$285.00	\$283.00	
6					H35-60NH-25NH		H35-60NH-30NH	H35-60NH-35NH	H35-60NH-40NH	H35-60NH-45NH	H35-60NH-50NH	H35-60NH-60NH	
					\$403.00		\$376.00	\$367.00	\$361.00	\$367.00	\$330.00	\$297.00	

Special Threads available on request, cost as follows: Allow 4-5 weeks for special threads.

- 1” to 3” = \$ 3.50 net each
- 3.5” to 6” = \$ 6.00 net each

H36 - Double Male Rocker Lug Adapters



		NH Male Rocker Lug										
		GHT	1	1.5	2	2.5	3	3.5	4	4.5	5	6
NH Male Rocker Lug	1	H36-10NH-GHT	H36-10NH-10NH									
		\$24.00	\$27.00									
	1.5	H36-15NH-GHT	H36-15NH-10NH	H36-15NH-15NH								
		\$53.00	\$50.00	\$21.00								
	2	H36-20NH-GHT	H36-20NH-10NH	H36-20NH-15NH	H36-20NH-20NH							
		\$53.00	\$50.00	\$41.00	\$42.00							
	2.5	H36-25NH-GHT	H36-25NH-10NH	H36-25NH-15NH	H36-25NH-20NH	H36-25NH-25NH						
		\$53.00	\$50.00	\$44.00	\$60.00	\$30.00						
	3				H36-30NH-20NH	H36-30NH-25NH	H36-30NH-30NH					
					\$111.00	\$78.00	\$73.00					
	3.5					H36-35NH-25NH	H36-35NH-30NH	H36-35NH-35NH				
						\$109.00	\$141.00	\$120.00				
	4					H36-40NH-25NH	H36-40NH-30NH	H36-40NH-35NH	H36-40NH-40NH			
						\$123.00	\$166.00	\$140.00	\$133.00			
	4.5					H36-45NH-25NH	H36-45NH-30NH	H36-45NH-35NH	H36-45NH-40NH	H36-45NH-45NH		
						\$136.00	\$163.00	\$155.00	\$183.00	\$145.00		
	5					H36-50NH-25NH	H36-50NH-30NH	H36-50NH-35NH	H36-50NH-40NH	H36-50NH-45NH	H36-50NH-50NH	
						\$285.00	\$372.00	\$353.00	\$190.00	\$194.00	\$159.00	
6					H36-60NH-25NH	H36-60NH-30NH	H36-60NH-35NH	H36-60NH-40NH	H36-60NH-45NH	H36-60NH-50NH	H36-60NH-60NH	
					\$300.00	\$300.00	\$300.00	\$237.00	\$229.00	\$189.00	\$256.00	

Special Threads available on request, cost as follows: Allow 4-5 weeks for special threads.

- 1" to 3" = \$ 3.50 net each
- 3.5" to 6" = \$ 6.00 net each

H37 - Male x Female Rigid Rocker Lug Adapters



		NH Female Rigid										
		GHT	1	1.5	2	2.5	3	3.5	4	4.5	5	6
NH Male	GHT	H37-GHT-GHT	H37-GHT-10NH	H37-GHT-15NH	H37-GHT-20NH	H37-GHT-25NH						
		\$20.00	\$33.00	\$32.00	\$52.00	\$59.00						
	1	H37-10NH-GHT	H37-10NH-10NH	H37-10NH-15NH	H37-10NH-20NH	H37-10NH-25NH						
		\$27.00	\$27.00	\$31.00	\$47.00	\$57.00						
	1.5	H37-15NH-GHT	H37-15NH-10NH	H37-15NH-15NH	H37-15NH-20NH	H37-15NH-25NH	H37-15NH-30NH					
		\$31.00	\$35.00	\$30.00	\$35.00	\$34.00	\$102.00					
	2	H37-20NH-GHT	H37-20NH-10NH	H37-20NH-15NH	H37-20NH-20NH	H37-20NH-25NH	H37-20NH-30NH					
		\$47.00	\$49.00	\$31.00	\$47.00	\$38.00	\$111.00					
	2.5	H37-25NH-GHT	H37-25NH-10NH	H37-25NH-15NH	H37-25NH-20NH	H37-25NH-25NH	H37-25NH-30NH	H37-25NH-35NH	H37-25NH-40NH	H37-25NH-45NH	H37-25NH-50NH	H37-25NH-60NH
		\$50.00	\$49.00	\$35.00	\$51.00	\$37.00	\$77.00	\$82.00	\$140.00	\$162.00	\$203.00	\$423.00
	3			H37-30NH-15NH	H37-30NH-20NH	H37-30NH-25NH	H37-30NH-30NH	H37-30NH-35NH	H37-30NH-40NH	H37-30NH-45NH	H37-30NH-50NH	H37-30NH-60NH
				\$104.00	\$106.00	\$66.00	\$75.00	\$166.00	\$176.00	\$203.00	\$204.00	\$401.00
	3.5					H37-35NH-25NH	H37-35NH-30NH	H37-35NH-35NH	H37-35NH-40NH	H37-35NH-45NH	H37-35NH-50NH	H37-35NH-60NH
						\$80.00	\$163.00	\$141.00	\$179.00	\$197.00	\$217.00	\$409.00
	4					H37-40NH-25NH	H37-40NH-30NH	H37-40NH-35NH	H37-40NH-40NH	H37-40NH-45NH	H37-40NH-50NH	H37-40NH-60NH
						\$143.00	\$175.00	\$174.00	\$161.00	\$185.00	\$202.00	\$280.00
	4.5					H37-45NH-25NH	H37-45NH-30NH	H37-45NH-35NH	H37-45NH-40NH	H37-45NH-45NH	H37-45NH-50NH	H37-45NH-60NH
						\$150.00	\$212.00	\$198.00	\$208.00	\$201.00	\$237.00	\$301.00
	5					H37-50NH-25NH	H37-50NH-30NH	H37-50NH-35NH	H37-50NH-40NH	H37-50NH-45NH	H37-50NH-50NH	H37-50NH-60NH
						\$173.00	\$237.00	\$206.00	\$233.00	\$250.00	\$228.00	\$286.00
	6					H37-60NH-25NH	H37-60NH-30NH	H37-60NH-35NH	H37-60NH-40NH	H37-60NH-45NH	H37-60NH-50NH	H37-60NH-60NH
						\$249.00	\$254.00	\$282.00	\$305.00	\$309.00	\$345.00	\$383.00

Special Threads available on request, cost as follows: Allow 4-5 weeks for special threads.

- 1" to 3" = \$ 3.50 net each
- 3.5" to 6" = \$ 6.00 net each

H53 - Female Swivel RL x Female Rigid



		NH Female Rigid								
		1.5	2	2.5	3	3.5	4	4.5	5	6
NH Female Swivel Rocker Lug	1.5	H53-15NH-15NH	H53-15NH-20NH	H53-15NH-25NH						
		\$47.00	\$55.00	\$68.00						
	2	H53-20NH-15NH	H53-20NH-20NH	H53-20NH-25NH						
		\$59.00	\$59.00	\$92.00						
	2.5	H53-25NH-15NH	H53-25NH-20NH	H53-25NH-25NH	H53-25NH-30NH	H53-25NH-35NH	H53-25NH-40NH	H53-25NH-45NH	H53-25NH-50NH	H53-25NH-60NH
		\$80.00	\$95.00	\$101.00	\$135.00	\$163.00	\$148.00	\$208.00	\$363.00	\$438.00
	3			H53-30NH-25NH	H53-30NH-30NH	H53-30NH-35NH	H53-30NH-40NH	H53-30NH-45NH	H53-30NH-50NH	H53-30NH-60NH
				\$136.00	\$128.00	\$198.00	\$255.00	\$276.00	\$341.00	\$407.00
	3.5			H53-35NH-25NH	H53-35NH-30NH	H53-35NH-35NH	H53-35NH-40NH	H53-35NH-45NH	H53-35NH-50NH	H53-35NH-60NH
				\$163.00	\$198.00	\$227.00	\$317.00	\$360.00	\$379.00	\$528.00
	4			H53-40NH-25NH	H53-40NH-30NH	H53-40NH-35NH	H53-40NH-40NH	H53-40NH-45NH	H53-40NH-50NH	H53-40NH-60NH
				\$166.00	\$226.00	\$320.00	\$277.00	\$327.00	\$435.00	\$441.00
	4.5			H53-45NH-25NH	H53-45NH-30NH	H53-45NH-35NH	H53-45NH-40NH	H53-45NH-45NH	H53-45NH-50NH	H53-45NH-60NH
				\$231.00	\$265.00	\$341.00	\$292.00	\$299.00	\$420.00	\$495.00
	5			H53-50NH-25NH	H53-50NH-30NH	H53-50NH-35NH	H53-50NH-40NH	H53-50NH-45NH	H53-50NH-50NH	H53-50NH-60NH
				\$346.00	\$293.00	\$346.00	\$375.00	\$418.00	\$467.00	\$459.00
	6			H53-60NH-25NH	H53-60NH-30NH	H53-60NH-35NH	H53-60NH-40NH	H53-60NH-45NH	H53-60NH-50NH	H53-60NH-60NH
				\$469.00	\$502.00	\$507.00	\$421.00	\$493.00	\$458.00	\$509.00

Special Threads available on request, cost as follows: Allow 4-5 weeks for special threads.

- 1" to 3" = \$ 3.50 net each
- 3.5" to 6" = \$ 6.00 net each

H53L - Female Swivel LH x Female Rigid



		NH Female Rigid								
		1.5	2	2.5	3	3.5	4	4.5	5	6
NH Female Swivel Long Handle	2.5	H53L-25NH-15NH	H53L-25NH-20NH	H53L-25NH-25NH	H53L-25NH-30NH	H53L-25NH-35NH	H53L-25NH-40NH	H53L-25NH-45NH	H53L-25NH-50NH	H53L-25NH-60NH
		\$85.00	\$99.00	\$104.00	\$136.00	\$172.00	\$151.00	\$221.00	\$394.00	\$478.00
	3			H53L-30NH-25NH	H53L-30NH-30NH	H53L-30NH-35NH	H53L-30NH-40NH	H53L-30NH-45NH	H53L-30NH-50NH	H53L-30NH-60NH
				\$143.00	\$130.00	\$211.00	\$273.00	\$294.00	\$287.00	\$453.00
	3.5			H53L-35NH-25NH	H53L-35NH-30NH	H53L-35NH-35NH	H53L-35NH-40NH	H53L-35NH-45NH	H53L-35NH-50NH	H53L-35NH-60NH
				\$172.00	\$204.00	\$245.00	\$350.00	\$397.00	\$434.00	\$588.00
	4			H53L-40NH-25NH	H53L-40NH-30NH	H53L-40NH-35NH	H53L-40NH-40NH	H53L-40NH-45NH	H53L-40NH-50NH	H53L-40NH-60NH
				\$175.00	\$242.00	\$341.00	\$300.00	\$358.00	\$469.00	\$490.00
	4.5			H53L-45NH-25NH	H53L-45NH-30NH	H53L-45NH-35NH	H53L-45NH-40NH	H53L-45NH-45NH	H53L-45NH-50NH	H53L-45NH-60NH
				\$242.00	\$278.00	\$363.00	\$308.00	\$317.00	\$435.00	\$487.00
	5			H53L-50NH-25NH	H53L-50NH-30NH	H53L-50NH-35NH	H53L-50NH-40NH	H53L-50NH-45NH	H53L-50NH-50NH	H53L-50NH-60NH
				\$302.00	\$310.00	\$368.00	\$400.00	\$434.00	\$488.00	\$476.00
6			H53L-60NH-25NH	H53L-60NH-30NH	H53L-60NH-35NH	H53L-60NH-40NH	H53L-60NH-45NH	H53L-60NH-50NH	H53L-60NH-60NH	
			\$479.00	\$529.00	\$535.00	\$449.00	\$520.00	\$469.00	\$520.00	

Special Threads available on request, cost as follows: Allow 4-5 weeks for special threads.

- 1" to 3" = \$ 3.50 net each
- 3.5" to 6" = \$ 6.00 net each

H54 - Male x Female Swivel Rocker Lug



		NH Female Swivel Rocker Lug								
		1.5	2	2.5	3	3.5	4	4.5	5	6
NH Male	1.5	H54-15NH-15NH	H54-15NH-20NH	H54-15NH-25NH						
		\$47.00	\$54.00	\$60.00						
	2	H54-20NH-15NH	H54-20NH-20NH	H54-20NH-25NH						
		\$54.00	\$57.00	\$96.00						
	2.5	H54-25NH-15NH	H54-25NH-20NH	H54-25NH-25NH	H54-25NH-30NH	H54-25NH-35NH	H54-25NH-40NH	H54-25NH-45NH	H54-25NH-50NH	H54-25NH-60NH
		\$64.00	\$90.00	\$97.00	\$136.00	\$165.00	\$237.00	\$239.00	\$300.00	\$498.00
	3			H54-30NH-25NH	H54-30NH-30NH	H54-30NH-35NH	H54-30NH-40NH	H54-30NH-45NH	H54-30NH-50NH	H54-30NH-60NH
				\$133.00	\$123.00	\$202.00	\$257.00	\$274.00	\$305.00	\$559.00
	3.5			H54-35NH-25NH	H54-35NH-30NH	H54-35NH-35NH	H54-35NH-40NH	H54-35NH-45NH	H54-35NH-50NH	H54-35NH-60NH
				\$163.00	\$200.00	\$235.00	\$304.00	\$358.00	\$364.00	\$540.00
	4			H54-40NH-25NH	H54-40NH-30NH	H54-40NH-35NH	H54-40NH-40NH	H54-40NH-45NH	H54-40NH-50NH	H54-40NH-60NH
				\$145.00	\$261.00	\$336.00	\$285.00	\$304.00	\$400.00	\$435.00
4.5			H54-45NH-25NH	H54-45NH-30NH	H54-45NH-35NH	H54-45NH-40NH	H54-45NH-45NH	H54-45NH-50NH	H54-45NH-60NH	
			\$212.00	\$288.00	\$382.00	\$337.00	\$309.00	\$443.00	\$510.00	
5			H54-50NH-25NH	H54-50NH-30NH	H54-50NH-35NH	H54-50NH-40NH	H54-50NH-45NH	H54-50NH-50NH	H54-50NH-60NH	
			\$386.00	\$363.00	\$422.00	\$457.00	\$440.00	\$495.00	\$474.00	
6			H54-60NH-25NH	H54-60NH-30NH	H54-60NH-35NH	H54-60NH-40NH	H54-60NH-45NH	H54-60NH-50NH	H54-60NH-60NH	
			\$467.00	\$442.00	\$575.00	\$465.00	\$523.00	\$474.00	\$529.00	

Special Threads available on request, cost as follows: Allow 4-5 weeks for special threads.

- 1" to 3" = \$ 3.50 net each
- 3.5" to 6" = \$ 6.00 net each

H54L - Male x Female Swivel Long Handle



		NH Female Swivel Long Handle						
		2.5	3	3.5	4	4.5	5	6
NH Male	2.5	H54L-25NH-25NH	H54L-25NH-30NH	H54L-25NH-35NH	H54L-25NH-40NH	H54L-25NH-45NH	H54L-25NH-50NH	H54L-25NH-60NH
		\$114.00	\$149.00	\$182.00	\$210.00	\$243.00	\$373.00	\$510.00
	3	H54L-30NH-25NH	H54L-30NH-30NH	H54L-30NH-35NH	H54L-30NH-40NH	H54L-30NH-45NH	H54L-30NH-50NH	H54L-30NH-60NH
		\$148.00	\$137.00	\$219.00	\$369.00	\$289.00	\$320.00	\$544.00
	3.5	H54L-35NH-25NH	H54L-35NH-30NH	H54L-35NH-35NH	H54L-35NH-40NH	H54L-35NH-45NH	H54L-35NH-50NH	H54L-35NH-60NH
		\$178.00	\$216.00	\$254.00	\$347.00	\$382.00	\$376.00	\$551.00
	4	H54L-40NH-25NH	H54L-40NH-30NH	H54L-40NH-35NH	H54L-40NH-40NH	H54L-40NH-45NH	H54L-40NH-50NH	H54L-40NH-60NH
		\$178.00	\$280.00	\$353.00	\$305.00	\$318.00	\$408.00	\$458.00
	4.5	H54L-45NH-25NH	H54L-45NH-30NH	H54L-45NH-35NH	H54L-45NH-40NH	H54L-45NH-45NH	H54L-45NH-50NH	H54L-45NH-60NH
		\$229.00	\$301.00	\$399.00	\$356.00	\$324.00	\$453.00	\$547.00
	5	H54L-50NH-25NH	H54L-50NH-30NH	H54L-50NH-35NH	H54L-50NH-40NH	H54L-50NH-45NH	H54L-50NH-50NH	H54L-50NH-60NH
		\$369.00	\$372.00	\$437.00	\$471.00	\$456.00	\$510.00	\$509.00
	6	H54L-60NH-25NH	H54L-60NH-30NH	H54L-60NH-35NH	H54L-60NH-40NH	H54L-60NH-45NH	H54L-60NH-50NH	H54L-60NH-60NH
		\$475.00	\$443.00	\$587.00	\$465.00	\$537.00	\$511.00	\$537.00

Special Threads available on request, cost as follows: Allow 4-5 weeks for special threads.

- 1" to 3" = \$ 3.50 net each
- 3.5" to 6" = \$ 6.00 net each

H56 - NH Male x Female Rigid Long Handle



		NH Female Rigid Long Handle						
		2.5	3	3.5	4	4.5	5	6
NH Male	2.5	H56-25NH-25NH	H56-25NH-30NH	H56-25NH-35NH	H56-25NH-40NH	H56-25NH-45NH	H56-25NH-50NH	H56-25NH-60NH
		\$114.00	\$124.00	\$132.00	\$188.00	\$198.00	\$257.00	\$482.00
	3	H56-30NH-25NH	H56-30NH-30NH	H56-30NH-35NH	H56-30NH-40NH	H56-30NH-45NH	H56-30NH-50NH	H56-30NH-60NH
		\$110.00	\$121.00	\$208.00	\$227.00	\$249.00	\$326.00	\$455.00
	3.5	H56-35NH-25NH	H56-35NH-30NH	H56-35NH-35NH	H56-35NH-40NH	H56-35NH-45NH	H56-35NH-50NH	H56-35NH-60NH
		\$128.00	\$214.00	\$195.00	\$229.00	\$361.00	\$267.00	\$443.00
	4	H56-40NH-25NH	H56-40NH-30NH	H56-40NH-35NH	H56-40NH-40NH	H56-40NH-45NH	H56-40NH-50NH	H56-40NH-60NH
		\$194.00	\$211.00	\$237.00	\$212.00	\$230.00	\$241.00	\$324.00
	4.5	H56-45NH-25NH	H56-45NH-30NH	H56-45NH-35NH	H56-45NH-40NH	H56-45NH-45NH	H56-45NH-50NH	H56-45NH-60NH
		\$210.00	\$259.00	\$262.00	\$261.00	\$251.00	\$281.00	\$346.00
	5	H56-50NH-25NH	H56-50NH-30NH	H56-50NH-35NH	H56-50NH-40NH	H56-50NH-45NH	H56-50NH-50NH	H56-50NH-60NH
		\$310.00	\$285.00	\$258.00	\$282.00	\$304.00	\$346.00	\$395.00
6	H56-60NH-25NH	H56-60NH-30NH	H56-60NH-35NH	H56-60NH-40NH	H56-60NH-45NH	H56-60NH-50NH	H56-60NH-60NH	
	\$380.00	\$372.00	\$353.00	\$353.00	\$362.00	\$408.00	\$440.00	

Special Threads available on request, cost as follows: Allow 4-5 weeks for special threads.

- 1" to 3" = \$ 3.50 net each
- 3.5" to 6" = \$ 6.00 net each

H57L - Female Swivel LH x Female Swivel LH



		Female Swivel Long Handle							
		2.5	3	3.5	4	4.5	5	6	
Female Swivel Long Handle	2.5	H57L-25NH-25NH							
		\$89.00							
	3	H57L-30NH-25NH	H57L-30NH-30NH						
		\$141.00	\$132.00						
	3.5	H57L-35NH-25NH	H57L-35NH-30NH	H57L-35NH-35NH					
		\$202.00	\$225.00	\$216.00					
	4	H57L-40NH-25NH	H57L-40NH-30NH	H57L-40NH-35NH	H57L-40NH-40NH				
		\$216.00	\$258.00	\$282.00	\$230.00				
	4.5	H57L-45NH-25NH	H57L-45NH-30NH	H57L-45NH-35NH	H57L-45NH-40NH	H57L-45NH-45NH			
		\$194.00	\$264.00	\$313.00	\$239.00	\$283.00			
	5	H57L-50NH-25NH	H57L-50NH-30NH	H57L-50NH-35NH	H57L-50NH-40NH	H57L-50NH-45NH	H57L-50NH-50NH		
		\$281.00	\$282.00	\$314.00	\$278.00	\$301.00	\$356.00		
6	H57L-60NH-25NH	H57L-60NH-30NH	H57L-60NH-35NH	H57L-60NH-40NH	H57L-60NH-45NH	H57L-60NH-50NH	H57L-60NH-60NH		
	\$400.00	\$374.00	\$394.00	\$351.00	\$358.00	\$398.00	\$405.00		

Special Threads available on request, cost as follows: Allow 4-5 weeks for special threads.

- 1" to 3" = \$ 3.50 net each
- 3.5" to 6" = \$ 6.00 net each

HTBC - Threaded Blind Caps

HTBC - Threaded Cap	Female Cap	List
HTBC-10NH	1" NH Female	\$54.00
HTBC-15NHRL	1½" NH Female	\$44.00
HTBC-15-special thread	1½" special thread	\$54.00
HTBC-20NH	2" NH Female	\$60.00
HTBC-25NH-MA	2½" NH Female	\$52.00
HTBC-25-special thread	2½" special thread	\$94.00
HTBC-30NHRL	3" NH Female	\$125.00
HTBC-35NH-MA	3½" NH Female	\$162.00
HTBC-40NHRL-MA	4" NH Female	\$150.00
HTBC-45NHRL	4½" NH Female	\$185.00
HTBC-50NHRL	5" NH Female	\$208.00
HTBC-60NHRL-MA	6" NH Female	\$238.00
HTBC-25NHLH	2.5" NH Female Long Handle	\$118.00
HTBC-30NHLH	3" NH Female Long Handle	\$157.00
HTBC-35NHLH	3.5" NH Female Long Handle	\$194.00
HTBC-40NHLH	4" NH Female Long Handle	\$207.00
HTBC-45NHLH	4½" NH Female Long Handle	\$217.00
HTBC-50NHLH	5" NH Female Long Handle	\$227.00
HTBC-60NHLH	6" NH Female Long Handle	\$252.00



Special Threads		List
1.5"	Special Thread RL Cap	\$54.00
2.5"	Special Thread RL Cap	\$94.00



HTP - Harrington Threaded Plugs

HTP - Threaded Plug	Male Plug	List
HTP-10NHRL	1" NH Male	\$54.00
HTP-15NHRL	1½" NH Male	\$26.00
HTP-15-special thread	1½" special thread	\$69.00
HTP-20NHRL	2" NH Male	\$75.00
HTP-25NHRL	2½" NH Male	\$45.00
HTP-25-special thread	2½" special thread	\$93.00
HTP-30NHRL	3" NH Male	\$90.00
HTP-35NHRL	3½" NH Male	\$98.00
HTP-40NHRL	4" NH Male	\$138.00
HTP-45NH-MA	4½" NH Male	\$171.00
HTP-50NH	5" NH Male	\$183.00
HTP-60NH	6" NH Male	\$220.00

Special Threads		List
1.5"	Special Thread Plug	\$69.00
2.5"	Special Thread Plug	\$93.00



Special Threads available on request, cost as follows: Allow 4-5 weeks for special threads.

- 1" to 3" = \$ 3.50 net each
- 3.5" to 6" = \$ 6.00 net each

Butterfly Valves



Butterfly Valves	HTBFV & HSBFV	List
NH		
HTBFV-40NH-40NH	Butterfly Valve 4" NH male x 4" NH female swivel long handle	\$1,800.00
HTBFV-40NH-45NH	Butterfly Valve 4" NH male x 4.5" NH female swivel long handle	\$1,800.00
HTBFV-40NH-50NH	Butterfly Valve 4" NH male x 5" NH female swivel long handle	\$1,800.00
HTBFV-40NH-60NH	Butterfly Valve 4" NH male x 6" NH female swivel long handle	\$1,800.00
HTBFV-45NH-40NH	Butterfly Valve 4.5" NH male x 4" NH female swivel long handle	\$2,125.00
HTBFV-45NH-45NH	Butterfly Valve 4.5" NH male x 4.5" NH female swivel long handle	\$1,600.00
HTBFV-45NH-50NH	Butterfly Valve 4.5" NH male x 5" NH female swivel long handle	\$1,800.00
HTBFV-45NH-60NH	Butterfly Valve 4.5" NH male x 6" NH female swivel long handle	\$1,800.00
HTBFV-50NH-40NH	Butterfly Valve 5" NH male x 4" NH female swivel long handle	\$2,125.00
HTBFV-50NH-45NH	Butterfly Valve 5" NH male x 4.5" NH female swivel long handle	\$2,125.00
HTBFV-50NH-50NH	Butterfly Valve 5" NH male x 5" NH female swivel long handle	\$1,600.00
HTBFV-50NH-60NH	Butterfly Valve 5" NH male x 6" NH female swivel long handle	\$2,125.00
HTBFV-60NH-60NH	Butterfly Valve 6" NH male x 6" NH female swivel long handle	\$1,600.00
Storz		
HSBFV-40-40NH	Butterfly Valve 4" Storz x 4" NH female swivel long handle	\$2,175.00
HSBFV-40-45NH	Butterfly Valve 4" Storz x 4.5" NH female swivel long handle	\$2,175.00
HSBFV-40-50NH	Butterfly Valve 4" Storz x 5" NH female swivel long handle	\$2,175.00
HSBFV-40-60NH	Butterfly Valve 4" Storz x 6" NH female swivel long handle	\$2,175.00
HSBFV-50-40NH	Butterfly Valve 5" Storz x 4" NH female swivel long handle	\$2,175.00
HSBFV-50-45NH	Butterfly Valve 5" Storz x 4.5" NH female swivel long handle	\$2,175.00
HSBFV-50-50NH	Butterfly Valve 5" Storz x 5" NH female swivel long handle	\$2,175.00
HSBFV-50-60NH	Butterfly Valve 5" Storz x 6" NH female swivel long handle	\$2,000.00
HSBFV-60-40NH	Butterfly Valve 6" Storz x 4" NH female swivel long handle	\$2,550.00
HSBFV-60-45NH	Butterfly Valve 6" Storz x 4.5" NH female swivel long handle	\$2,550.00
HSBFV-60-50NH	Butterfly Valve 6" Storz x 5" NH female swivel long handle	\$2,550.00
HSBFV-60-60NH	Butterfly Valve 6" Storz x 6" NH female swivel long handle	\$2,550.00
HSBFV-50-NF/Cap	To be mounted to a 6" flange in the field x 5" Storz with lock with 5" Storz cap/cable	\$1,400.00

Drafting Equipment

PVC Suction Hose

We offer the most flexible suction hose in the market; as much as 24% tighter bend radius. Long life due to high UV inhibitors. Clear PVC hose allows for visual indication of water movement. Coupling can easily be removed in the field with standard Allen wrench. Aircraft aluminum # 6061-T couplings hard coated to Military spec Type III specification for added abrasion resistance and long life. Beveled segment edges for easy loading into hose chutes. All metal segment collars secure coupling to hose – no plastic.

All metal roller bearings in swivels – no plastic. **Couplings and Hose are made in the U.S.A.**



- Standard 10' length hose is measured from end of coupling to end of coupling.
- Special – short or long - lengths can be made – call for pricing.
- 2.5" and 3" hoses 10 feet in length can be shipped via UPS or Fed-X ground.
- 4", 5", and 6" hoses must ship via truck. Hoses longer than 10 feet will entail higher freight rates.
- 5" & 6" hoses are shipped straight-flat to reduce possible damage to hose in transit.
- Storz X NH connections on one length can be supplied – call/request with specs for pricing.
- No shipments permitted to personal residences due to excessive freight costs.

Suction Hose	HSH	List
NH Thread		
HSH-15NHRL-10	Flex-Lite suction hose 1.5" PVC with 1.5" NH rocker lug male x rocker lug female 10 ft. long	\$89.00
HSH-25NHRL-10	Flex-Lite suction hose 2.5" PVC with 2.5" NH rocker lug male x rocker lug female 10 ft. long w/ white helix	\$169.00
HSH-30-25NH-10	Flex-Lite suction hose 3" PVC with 2.5" NH rocker lug male x long handle female 10 ft. long	\$237.00
HSH-30-25NHRL-10	Flex-Lite suction hose 3" PVC with 2.5" NH rocker lug male x rocker lug female 10 ft. long	\$230.00
HSH-30NH-10	Flex-Lite suction hose 3" PVC with 3" NH rocker lug male x long handle female 10 ft. long	\$340.00
HSH-30NHRL-10	Flex-Lite suction hose 3" PVC with 3" rocker lug male x rocker lug female 10 ft. long	\$340.00
HSH-40NH-10	Flex-Lite suction hose 4" PVC with 4" rocker lug male x long handle female 10 ft. long	\$452.00
HSH-40NHRL-10	Flex-Lite suction hose 4" PVC with 4" rocker lug male x rocker lug female 10 ft. long	\$452.00
HSH-50-45NH-10	Flex-Lite suction hose 5" PVC with 4.5" NH rocker lug male and long handle female 10 ft long	\$624.00
HSH-50NH-10	Flex-Lite suction hose 5" PVC with 5" rocker lug male x long handle female 10 ft. long	\$602.00
HSH-50NHRL-10	Flex-Lite suction hose 5" PVC with 5" rocker lug male x rocker lug female 10 ft. long	\$602.00
HSH-60NH-10	Flex-Lite suction hose 6" PVC with 6" rocker lug male x long handle female 10 ft. long	\$685.00
HSH-60NHRL-10	Flex-Lite suction hose 6" PVC with 6" rocker lug male x rocker lug female 10 ft. long	\$685.00
HSH-60NH/FH-50/FH	Flex-lite suction hose 6" PVC with 6" NH Female with folding handles x 5" Storz with folding handles 10 ft. long	\$985.00
HSH-6NHM-5ST/FH-10	Flex-lite suction hose 6" PVC with 6" NH male x 5" Storz with folding handles 10 ft. long	\$894.00



optional folding handles



Storz		
HSB-25ST-10	Flex-Lite suction hose 2.5" PVC with 2.5" Storz 10 ft. long	\$349.00
HSB-30ST-10	Flex-Lite suction hose 3" PVC with 3" Storz 10 ft. long	\$465.00
HSB-40ST-10	Flex-Lite suction hose 4" PVC with 4" Storz lock 10 ft. long	\$641.00
HSB-45ST-10		\$800.00
HSB-50ST-10	Flex-Lite suction hose 5" PVC with 5" Storz lock 10 ft. long	\$757.00
HSB-60ST-10	Flex-Lite suction hose 6" PVC with 6" Storz lock 10 ft. long	\$982.00
HSB-60-50ST-10	Flex-Lite suction hose 6" PVC with 5" Storz lock 10 ft. long	\$1,016.00
HSB-5NHM-5ST-FH-10	Flex-Lite suction hose 5" PVC with 5" NH male with folding handles x 5" Storz lock 10 ft. long	\$757.00

Suction Strainers

HTBS - Barrel Strainers - Female Rigid



**New Lower
prices for
2016**

Barrel Strainers	HTBS & HSBS	List
NH Thread		
HTBS-25NH	Barrel Strainer with 2.5" NH Female rigid	\$144.00
HTBS-30NH	Barrel Strainer with 3" NH Female rigid	\$164.00
HTBS-40NH	Barrel Strainer with 4" NH Female rigid	\$216.00
HTBS-45NH	Barrel Strainer with 4.5" NH Female rigid	\$266.00
HTBS-50NH	Barrel Strainer with 5" NH Female rigid	\$280.00
HTBS-60NH	Barrel Strainer with 6" NH Female rigid	\$234.00
Storz		
HSBS-25ST	Barrel Strainer with 2.5" Storz rigid	\$176.00
HSBS-30ST	Barrel Strainer with 3" Storz rigid	\$292.00
HSBS-40ST	Barrel Strainer with 4" Storz rigid	\$302.00
HSBS-50ST	Barrel Strainer with 5" Storz rigid	\$344.00
HSBS-60ST	Barrel Strainer with 6" Storz rigid	\$390.00

HTLLS - Low Level Strainers w/ Jet Siphon



Low Level Strainers	HTLLS & HSLLS	List
NH Thread		
HTLLS-25NHLH	Low Level Strainer with 2.5" NH Female long handle swivel w/ 1.5" NH siphon jet	\$632.00
HTLLS-30NHLH	Low Level Strainer with 3" NH Female long handle swivel w/ 1.5" NH siphon jet	\$708.00
HTLLS-40NHLH	Low Level Strainer with 4" NH Female long handle swivel w/ 1.5" NH siphon jet	\$728.00
HTLLS-45NHLH	Low Level Strainer with 4.5" NH Female long handle swivel w/ 1.5" NH siphon jet	\$752.00
HTLLS-50NHLH	Low Level Strainer with 5" NH Female long handle swivel w/ 1.5" NH siphon jet	\$752.00
HTLLS-60NHLH	Low Level Strainer with 6" NH Female long handle swivel w/ 1.5" NH siphon jet	\$782.00
Storz		
HSLLS-25ST	Low Level Strainer with 2.5" Storz rigid w/ 1.5" NH siphon jet	\$614.00

HLLS-30ST	Low Level Strainer with 3" Storz rigid w/ 1.5" NH siphon jet	\$614.00
HLLS-40ST	Low Level Strainer with 4" Storz rigid w/ 1.5" NH siphon jet	\$708.00
HLLS-50ST	Low Level Strainer with 5" Storz rigid w/ 1.5" NH siphon jet	\$768.00
HLLS-60ST	Low Level Strainer with 6" Storz rigid w/ 1.5" NH siphon jet	\$816.00

HTFBS - Floating Barrel Strainers

Floating Barrel Strainers	HTFBS & HSFBS	List
NH Thread		
HTFBS-25NHLH	Floating Strainer with 2.5" NH female long handle swivel	\$552.00
HTFBS-30NHLH	Floating Strainer with 3" NH female long handle swivel	\$574.00
HTFBS-40NHLH	Floating Strainer with 4" NH female long handle swivel	\$760.00
HTFBS-45NHLH	Floating Strainer with 4.5" NH female long handle swivel	\$1,036.00
HTFBS-50NHLH	Floating Strainer with 5" NH female long handle swivel	\$1,036.00
HTFBS-60NHLH	Floating Strainer with 6" NH female long handle swivel	\$1,050.00
Storz		
HSFBS-25ST	Floating Strainer with 2.5" Storz rigid	\$482.00
HSFBS-30ST	Floating Strainer with 3" Storz rigid	\$482.00
HSFBS-40ST	Floating Strainer with 4" Storz rigid	\$726.00
HSFBS-50ST	Floating Strainer with 5" Storz rigid	\$1,038.00
HSFBS-60ST	Floating Strainer with 6" Storz rigid	\$1,084.00



Foam Equipment

HFI - Foam Eductors

This light weight in-line Foam Eductor operates at low pressure 100 PSI. Excellent for use in plants, portable pumps or other low water pressure applications. Variable concentrate settings from 0.5% to 6%.

Clear pick up tube with quick Storz connection and stainless steel wand. Flow ranges 60, 95 and 125 GPM.



Foam Inductors	HFI	List
HFI-Z2-15NH-KIT	In line foam eductor FE 60 light weight 1.5" NH female swivel rocker lug inlet x 1.5" NH male outlet w/ pick up tube and stainless steel wand	\$699.00
HFI-Z4-15NH-KIT	In line foam eductor FE 125 light weight 1.5" NH female swivel rocker lug inlet x 1.5" NH male outlet w/ pick up tube and stainless steel wand	\$766.00
HFI-Z4-15NPSH-KIT	In line foam eductor FE 125 light weight 1.5" NPSH female swivel rocker lug inlet x 1.5" NPSH male outlet w/ pick up tube and stainless steel wand	\$766.00
HFI-Z8-25NH-KIT	In line foam eductor FE 250 light weight 2.5" NH female swivel rocker lug inlet x 2.5" NH male outlet w/ pick up tube and stainless steel wand	\$977.00
HFPT-STD	Foam Pick Up Tube, Pick up tube 3/4" PVC 5 ft long w/ Storz adapter 1" (25) and 20" stainless steel wand	\$70.00



HTN - Turbo Nozzles 60 Series

Selectable gallonage fog nozzles up to 60 gpm. Available with a filled fog pattern, Turbo Nozzles go from straight stream to wide fog pattern in just 1/2 turn. A raised lug on the bumper indicates the location of the pattern selector.

HTN-5/60-1NH/ST	Turbo Nozzle x 1" NH female swivel 5-15-30-60 gpm with spinning teeth	\$786.00
HTN-5/60-PG-1NH/ST	Turbo Nozzle x 1" NH female swivel 5-15-30-60 gpm with spinning teeth & pistol grip	\$836.00
HTN-5/60-1NH/FT	Turbo Nozzle x 1" NH female swivel 5-15-30-60 gpm with fixed teeth	\$786.00
HTN-5/60-PG-1NH/FT	Turbo Nozzle x 1" NH female swivel 5-15-30-60 gpm with fixed teeth & pistol grip	\$836.00

HHSN - Wildland Nozzles

Excellent lightweight forestry and marine approved nozzles. Supplied in 1" with a flow rate of 25 GPM and 1.5" with a flow rate of 75-150 GPM @ 100 PSI. The 1.5" model has a flow rate of 75 GPM in straight stream and 150 GPM on fog. All models have twist to shut off design. Molded rubber teeth/bumper is standard. PG-denotes nozzles with pistol grip.



HHSN7-10NH	Wildland nozzle HS 7 (25 gpm) 1" NH female swivel rocker lug	\$211.00
HHSN7-PG-1NH	Wildland nozzle HS 7 PG (25 gpm) 1" NH female swivel rocker lug w/ pistol grip	\$292.00
HHSN12-R20M	Wildland nozzle HS 12 2" BSP male	\$100.00
HHSN12-15NH	Wildland nozzle HS 12 (75-150 gpm) 1.5" NH female swivel rocker lug	\$138.00
HHSN-12-PG-15NH	Wildland nozzle HS 12 PG (75-150 gpm) 1.5" NH female swivel rocker lug w/ pistol grip	\$220.00
HHSN12-20STB	Wildland nozzle HS 12 (75-150 gpm) 2" Brass Storz	\$154.00
HHSN16-R20M	Wildland nozzle HS 16 2" BSP male	\$100.00
HHSN16-20ST	Wildland nozzle HS 16 2" Storz	\$119.00
HHSN16-25NH	Wildland nozzle HS 16 2.5" NH female swivel rocker lug	\$211.00
HHSN20-R20M	Wildland nozzle HS 20 2" BSP male	\$100.00
HHSN-20-25NH	Wildland nozzle HS 20 2.5" NH female swivel rocker lug	\$195.00
HHSN-20-PG-25NH	Wildland nozzle HS 20 2.5" NH female swivel rocker lug	\$276.00

HHFN - Heavy (low expansion) Foam Nozzles

Nozzle used for making air aspirated low expansion foam of 15:1, while providing long reach for added safety. Flow rates of 60, 90, and 125 GPM @ 100 PSI. Only a quarter turn to shut off and comes with a carrying handle. The 60 and 95 GPM have a 1.5" connection and the 125 GPM has a 2.5" connection.



HHFN-S2-15NH	Low expansion foam nozzle LFN 60 1.5" NH female swivel with shut-off valve	\$394.00
HHFN-S4-15NH	Low expansion foam nozzle LFN 125 1.5" NH female swivel with shut-off valve	\$433.00
HHFN-S4-15NPSH	Low expansion foam nozzle LFN 125 1.5" NPSH female swivel with shut-off valve	\$433.00
HHFN-S4-25NH	Low expansion foam nozzle LFN 125 2.5" NH female swivel with shut-off valve	\$473.00

HMFN - Medium Expansion Foam Nozzle

Air aspirating stainless steel tube with an expansion ratio of 60:1. Excellent for making a foam blanket over hazardous spills. Includes carrying handle and shut off. Flows 60, 95 and 125 GPM at 100 PSI. The 60 and 95 GPM have a 1.5" connection and the 125 GPM has a 2.5" connection.

HMFN-M2-15NH	Medium expansion foam nozzle MFN 60 1.5" NH female swivel with shut-off valve	\$858.00
HMFN-M2-15NPSH	Medium expansion foam nozzle MFN 60 1.5" NPSH female swivel with shut-off valve	\$858.00
HMFN-M4-25NH	Medium expansion foam nozzle MFN 125 2.5" NH female swivel with shut-off valve	\$861.00



HCFN - Combination Medium/Heavy Foam Nozzle

Air aspirating foam nozzle for making low expansion foam of 15:1 or with the flip of the lever you can switch to medium expansion 60:1 foam. This 100 psi nozzle has a stainless steel tube and screen. 1.5" and 2.5" fittings available with flow rates of either 60 or 125 GPM.

HCFN-S2/M2-15NH	Combination Medium and Heavy foam nozzle 1.5" NH swivel inlet - 60 GPM	\$1,098.00
HCFN-S4/M4-15NH	Combination Medium and Heavy foam nozzle 1.5" NH swivel inlet - 125 GPM	\$1,478.00
HCFN-S4/M4-25NH	Combination Medium and Heavy foam nozzle 2.5" NH swivel inlet - 125 GPM	\$1,530.00



HSJB-Branchpipe Nozzle

HJSB-4002-20ST-P	Nozzle CM 12x9 2" (52) Storz with aluminum ball valve (branchpipe)	\$85.00
HJSB-4002-R20M	Nozzle CM 12x9 2" BSP male with aluminum ball valve (branchpipe)	\$69.00
HJSB-4012-25BIM	Nozzle CM 12x9 2.5" British Instantaneous male with polyamide ball valve (branchpipe)	\$90.00



HCN - Cellar Nozzle

Excellent nozzle for cellar or hard to access areas which distributes high flow of water in a wide 360 degree area. Brass chrome plated 2.5" nozzle will flow 170 GPM @ 100 PSI.

HCN-25NH	Cellar Nozzle with 2.5" NH female swivel inlet for 170 gpm flow @ 100 PSI	\$770.00
----------	---	----------



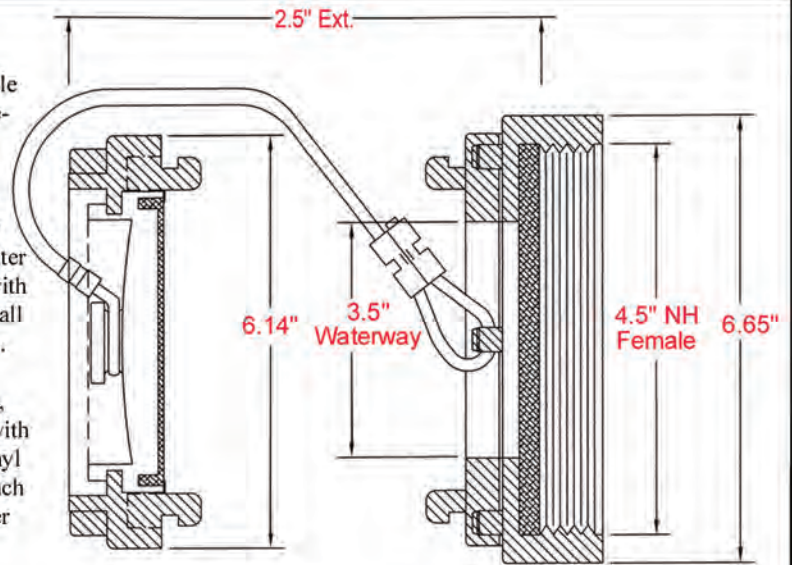
HPHA™ SPECIFICATION

The Harrington Permanent Hydrant Adapter threads onto the male nozzle and is secured permanently to the hydrant. A Storz spanner wrench is required for cap removal.

The Storz adapter shall have a hard anodized aluminum metal face seal and hard anodized aluminum Storz ramps and lugs. The adapter's finish shall be hardcoat anodized to Mil-A-8625, Type 3, dark gray. The Adapter shall be made of forged 6061-T6 aluminum and secured to the nozzle with (2) stainless steel set screws, inserted 180° apart. The female adapter shall contain a flat rubber gasket which seals against the male hydrant nozzle.

The blind cap shall have hard anodized aluminum Storz ramps and lugs, made of forged 6061-T6 aluminum. The forged cap shall be equipped with a Storz seal. The cap shall be connected to the adapter with a 0.125" vinyl coated aircraft cable. The high torque cap requires a Storz spanner wrench for removal. Once installed, the Harrington Permanent Hydrant Adapter extends less than 3" from the hydrant nozzle.

Specify: HARRINGTON "HPHA"



Harrington, Inc.
2630 W. 21st St.
Erie, PA 16506

Ph. 800-553-0078
fax. 814-838-7339
daveh@harrinc.com

DWG No.:

HPHA40-45NH/Cap

Description: 4" Storz Metal Face x 4.5" NH Female
w/ 4" Storz Cap w/ cable

Date: 04/08/10

DB: DTH

Rev.: 00

Scale: NTS

Sheet 1 of 1

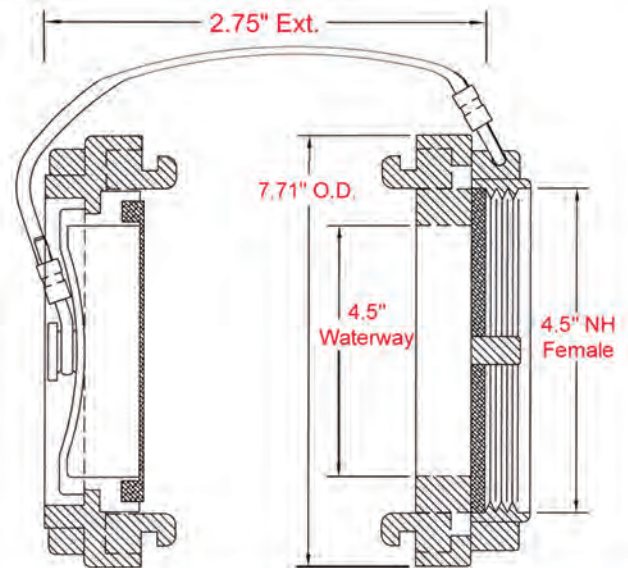
HPHA™ SPECIFICATION

The Harrington Permanent Hydrant Adapter threads onto the male nozzle and is secured permanently to the hydrant. A Storz spanner wrench is required for cap removal.

The Storz adapter shall have a hard anodized aluminum metal face seal and hard anodized aluminum Storz ramps and lugs. The adapter's finish shall be hardcoat anodized to Mil-A-8625, Type 3, dark gray. The Adapter shall be made of forged 6061-T6 aluminum and secured to the nozzle with (2) stainless steel set screws, inserted 180° apart. The female adapter shall contain a flat rubber gasket which seals against the male hydrant nozzle.

The blind cap shall have hard anodized aluminum Storz ramps and lugs, made of forged 6061-T6 aluminum. The forged cap shall be equipped with a Storz seal. The cap shall be connected to the adapter with a 0.125" vinyl coated aircraft cable. The high torque cap requires a Storz spanner wrench for removal. Once installed, the Harrington Permanent Hydrant Adapter extends less than 3" from the hydrant nozzle.

Specify: HARRINGTON "HPHA"



Harrington, Inc.
2630 W. 21st St.
Erie, PA 16506

Ph. 800-553-0078
fax. 814-838-7339
daveh@harrinc.com

DWG No.:

HPHA50-45NH/Cap

Description: 5" Storz Metal Face x 4.5" NH Female
w/ 5" Storz Cap w/ cable

Date: 04/08/10

DB: DTH

Rev.: 00

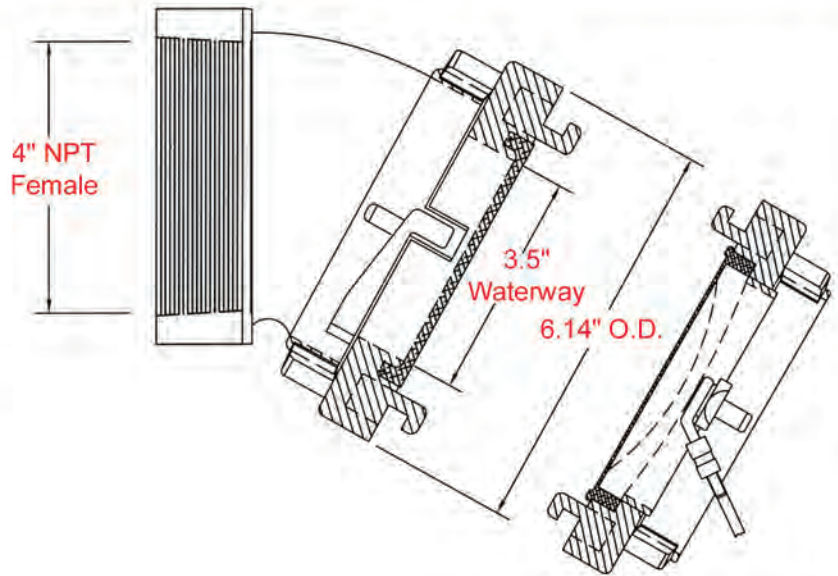
Scale: NTS

Sheet 1 of 1

H30E-40-40NPT/Cap

ALL ALUMINUM

- 4" NPT Female rigid
- 30° Elbow
- 4" Storz with Storz-Lok
- 4" Storz Cap with cable
- Cap connected to the Storz adapter



Harrington, Inc.
2630 W. 21st St.
Erie, PA 16506

Ph. 800-553-0078
fax. 814-838-7339
daveh@harrinc.com

DWG No.: **H30E-40-40NPT/Cap**

Description: 30° Elbow, 4" Storz x 4" NPT female rigid w/ 4" Storz Cap w/ cable

Date: 04/08/10

DB: DTH

Rev.: 00

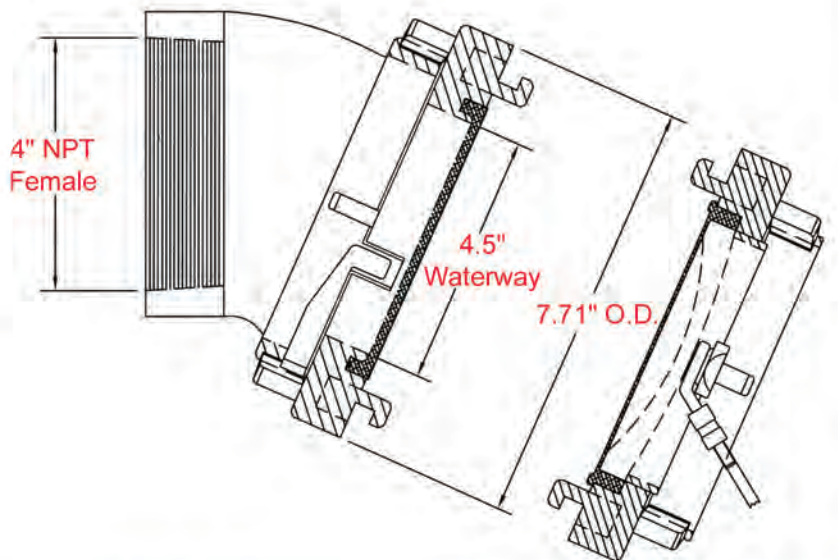
Scale: NTS

Sheet 1 of 1

H30E-50-40NPT/Cap

ALL ALUMINUM

- 4" NPT Female rigid
- 30° Elbow
- 5" Storz with Storz-Lok
- 5" Storz Cap with cable
- Cap connected to the Storz adapter



Harrington, Inc.
2630 W. 21st St.
Erie, PA 16506

Ph. 800-553-0078
fax. 814-838-7339
daveh@harrinc.com

DWG No.: **H30E-50-40NPT/Cap**

Description: 30° Elbow, 5" Storz x 4" NPT female rigid w/ 5" Storz Cap w/ cable

Date: 04/08/10

DB: DTH

Rev.: 00

Scale: NTS

Sheet 1 of 1

~ Terms and conditions ~

Terms: Net 30 days, unless otherwise agreed upon, prior to order entry or shipment.
F.O.B. Erie, PA unless otherwise agreed upon prior to order entry or shipment.

Ordering: All orders, as well as change orders, must be written form. Item part numbers and description must agree. Please call for any special, non-standard configurations.

Order Confirmations: Confirmations will be faxed or mailed daily. All discrepancies between purchase order and confirmations should be discussed immediately.

Pricing: Prices are subject to change at any time, without notice. Please call to insure that you have the current price sheet. Special quotes will be valid for 30 days, longer if discussed before hand. All custom configurations should be discussed before quoting end user.

Standard Threads: We consider NH & NPSH to be standard threads.

NH/NST-National Hose thread and National Standard thread are the same

NPSH/IPT- National Pipe Straight Hose thread and Iron Pipe thread are the same.

Special threads: Allow 4-5 weeks for special threads.

1" to 3" = \$ 3.50 net each

3.5" to 6" = \$ 6.00 net each

Returns: All return shipments must have a RGA (Return Goods Authorization number) prior to the return of any product, for any reason. A 25% restocking charge may be assessed, depending on the nature of the return.

Note: Please mark the RGA# plainly on the package and enclosed paper work.

Repairs: Repair capabilities will be based on the nature of the situation that arises. Please call for an RGA# before shipping any items to Harrington Inc. for repair. In the case of valves too old for repair, \$40.00 labor fee may be charged for time spent on the item.

Note: Labor is charged a rate of \$80.00 per hour

Warranty: All Harrington, Inc. products are warranted to be free of defects in material and workmanship for a period of one (1) year. H500S and H1000 have a five (5) year corrosion warranty.



Harrington, Inc.

HYDRANT STORZ SPECIALISTS

2630 West 21st Street Erie, PA 16506
phone: 800-553-0078 fax: 814-838-7339
www.hydrantstorz.com / www.harrinc.com



Fight the Fire, Not the Connections™

Protect your community with Harrington Hydrant Storz connections. Save time, lives and property by making your hydrants ready for the call.



1/4 Turn, Cap Off...

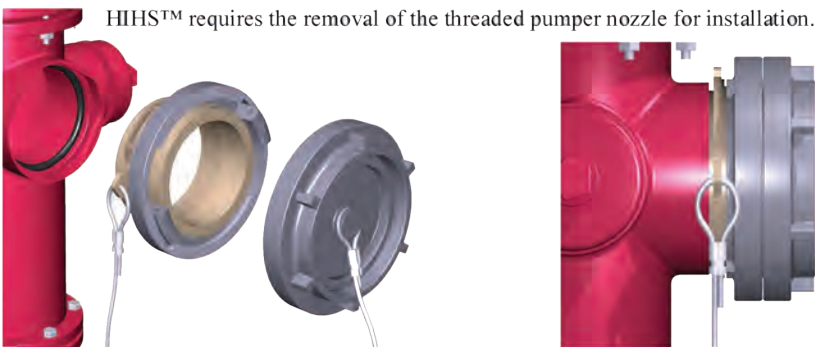


1/4 Turn, Hose On

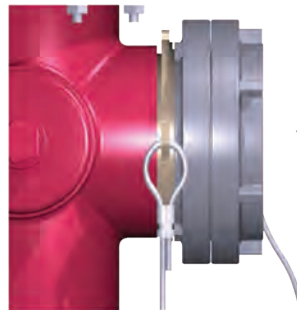


HIHS™ BUILT-IN: Harrington Integral Hydrant Storz™

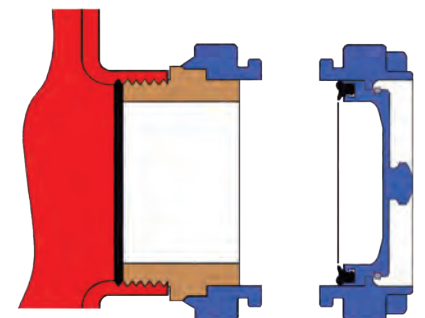
For new hydrants, this nozzle is built into the hydrant in place of the threaded nozzle. The HIHS is a patented product created by Harrington, Inc. to enable hydrant manufacturers to equip their hydrants with Storz, while maintaining the HPHA standards that were developed decades ago. Storz wrench required to remove the cap.



HIHS™ requires the removal of the threaded pumper nozzle for installation.



HIHS™ WITH CAP



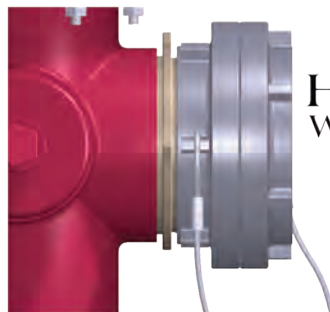
High-torque cap removal prevents unauthorized entry.

HPHA™ THREAD-ON: Harrington Permanent Hydrant Adapter™

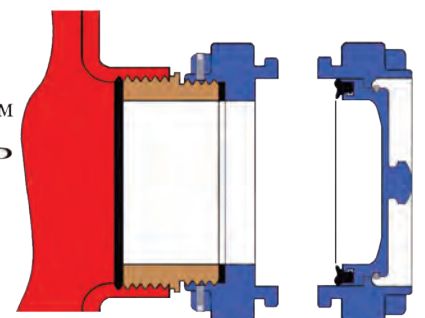
For retro fitting existing hydrant threads, this adapter is threaded onto the steamer nozzle and secured permanently with two setscrews. The cap will not come off at the hands of vandals. Wrench required.



HPHA™ requires only the removal of the threaded cap for installation.



HPHA™ WITH CAP



**SPECIFY HARRINGTON HYDRANT STORZ.
MAKE THE RIGHT CONNECTION!**